

Service Manual

SERVICE PARTS & DIAGRAMS

BENDPAK

XPR-18CL

PRODUCT SKU
5175409

DRAWING N°
5260576

CATEGORY
Two Post Lift

REV
Version V

DATE
08.23.2021

BendPak.

This guide is a troubleshooting reference used for maintaining and servicing your Bend Pak product. It provides comprehensive information on identifying serviceable parts and components and assists in troubleshooting problems and performing assembly /disassembly procedures.



BendPak, Inc. Corporate Office
1645 Lemonwood Drive
Santa Paula, CA 93060 USA
Toll Free US/Canada: 1-800-253-2363
Fax: 1-805-933-9160
info@bendpak.com

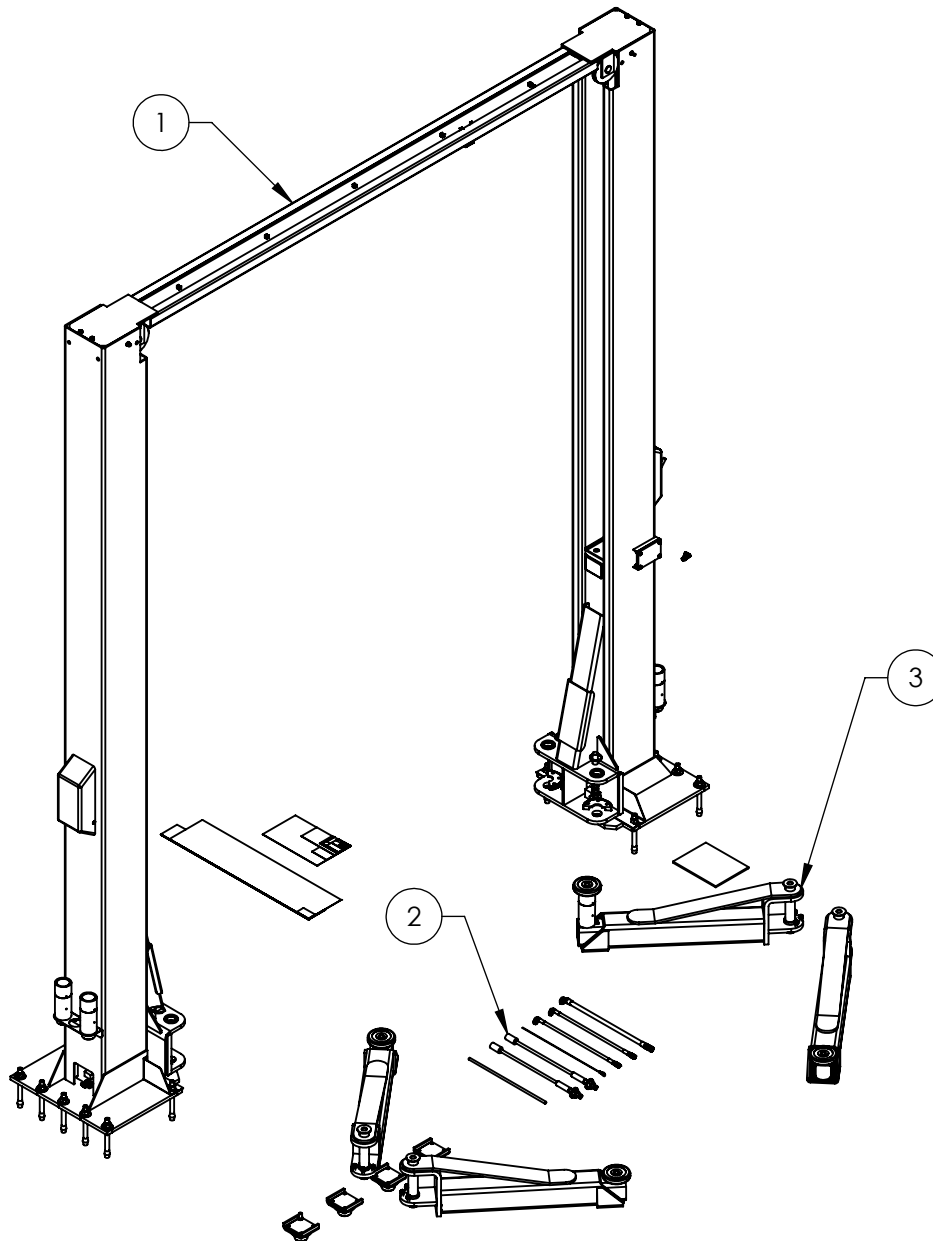
Customer Service Desk / Warranty
Customer Service Representatives
Office Tel: 1-805-933-9970
Toll Free US/Canada: 1-800-253-2363
Fax: 1-805-933-9160
customerservice@bendpak.com

Parts Orders
Customer Service Representatives
Office Tel: 1-805-933-9970
Toll Free US/Canada: 1-800-253-2363
Fax: 1-805-933-9160
parts@bendpak.com

Domestic Sales & Service
USA Sales Representatives
Office Tel: 1-805-933-9970
Toll Free US/Canada: 1-800-253-2363
Fax: 1-805-933-9160
sales@bendpak.com

International Sales & Service
Office Tel: 1-805-933-9970
Exports Dept: 1-805-933-9970 EXT. 192
Ext. Toll Free US/Canada: 1-800-253-2363
Fax: 1-805-933-9160
bpkexports@bendpak.com

REVISION				
REV	DESCRIPTION	DATE	EDITED BY	ECO#
T	UPDATED BOM REVISION	12/23/2020	TM	01251
U	ADDED 5906044, UPDATED BOM REVISION	06/24/2021	TM	01310
V	ADDED 5905775	08/09/2021	TM	01321



NOTE: UNLESS OTHERWISE SPECIFIED.

1. REFER TO MODEL FOR ADDITIONAL INFORMATION
2. SEE SHIPPING INSTRUCTIONS FOR FINAL PACKAGING
3. SEE COLORS & GRAPHICS FOR LABEL PLACEMENT

ITEM NO	PART NUMBER	DESCRIPTION	QTY	REV
1	5245139	XPR-12CL-LTA/15/18CL LIFT SUPERSTRUCTURE	1	AF
2	5250268	XPR-18CL PARTS BOX	1	F
3	5215273	D2-15/XPR-15CL/18CL ARM ASSEMBLY	4	K
-	5905109	WARNING ALI/WL 101	1	-
-	5905131	2 POST DECAL KIT, LESS ALI	1	E
-	5905406	MAX CAPACITY 18K DANGER LABEL, ENGLISH-FRENCH	1	-
-	5905465	MANUFACTURER LABEL	1	-
-	5905675	MAX CAPACITY NTRL 18K LABEL, ENGLISH-FRENCH	1	-
-	5905940	PRODUCT DATA LABEL	1	-
-	5905951	SERIAL TAG B	1	-
-	5905653	LABEL; ALI-ALCTV-2017 GOLD LABEL, US; MET LABS	1	-
-	5905414	GP/XPR LOCK-RELEASE LABEL	1	-
-	5905285	SERIALTAG EXTERIOR PEEL OFF INVENTORY LABEL	1	-
-	5905377	NOTICE LABEL, ALI/WLSIA01	1	-
-	5906044	AMERICAN OWNED LABEL	1	-
-	5905775	CALIFORNIA PROP. 65 LABEL	1	-

DO NOT SCALE DRAWING

	NAME	DATE
DRAWN	TM	12/16/2015
CHECKED	OR	08/12/2021



1645 LEMONWOOD DR.
SANTA PAULA, CA 93060

DIMENSIONS ARE IN MM

THIRD ANGLE PROJECTION



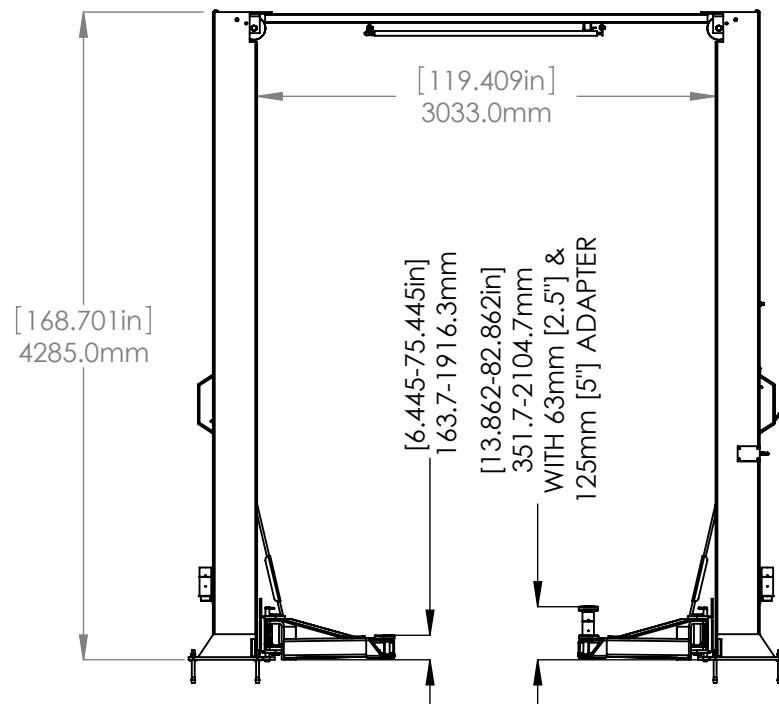
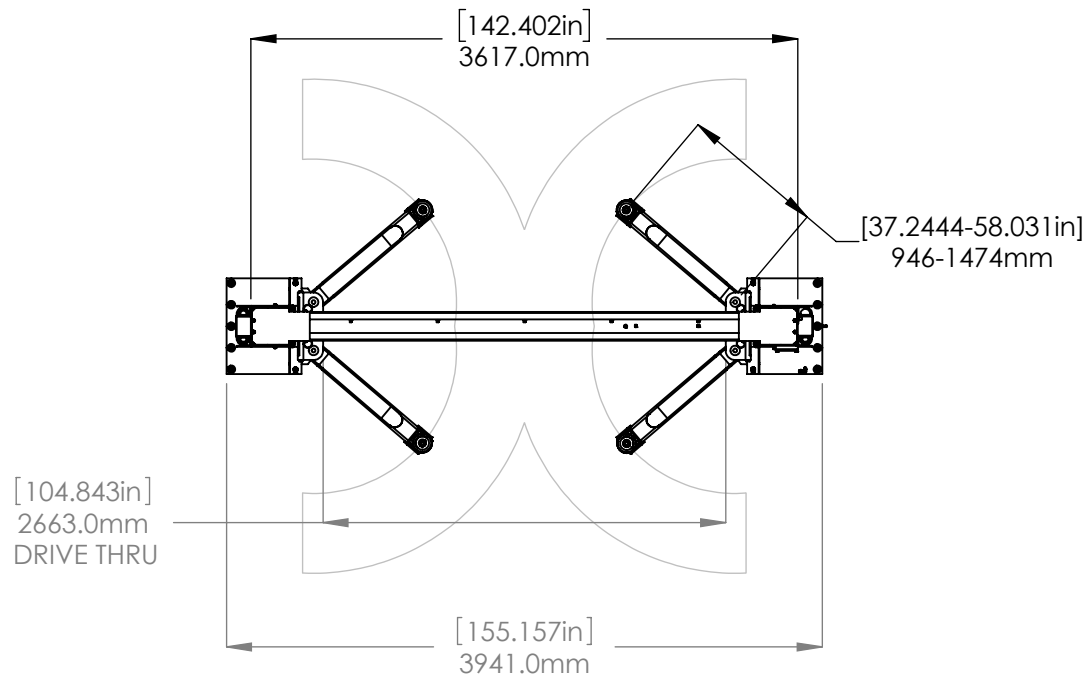
PROPRIETARY AND CONFIDENTIAL
THE INFORMATION CONTAINED IN THIS DRAWING IS
THE SOLE PROPERTY OF BENDPAK INC. ANY
REPRODUCTION IN PART OR AS A WHOLE WITHOUT
THE WRITTEN PERMISSION OF BENDPAK INC. IS
PROHIBITED.

TITLE:
**XPR-18CL PRODUCTION
LIFT VER E**

SIZE	DWG. NO.	REV
A	5260576	V

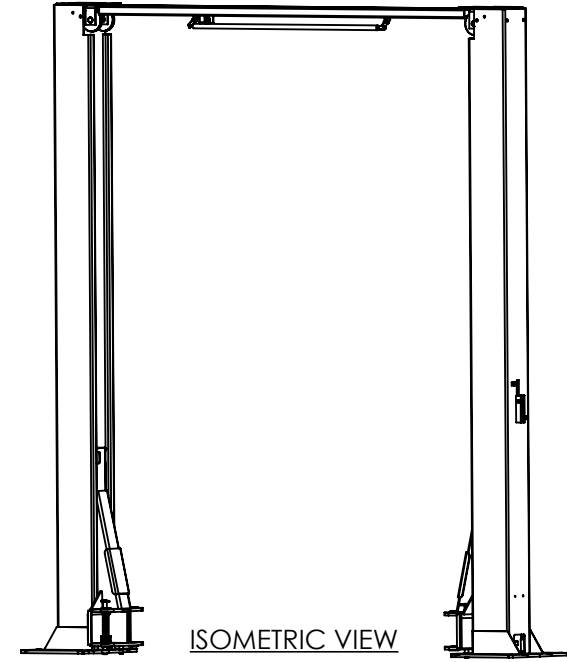
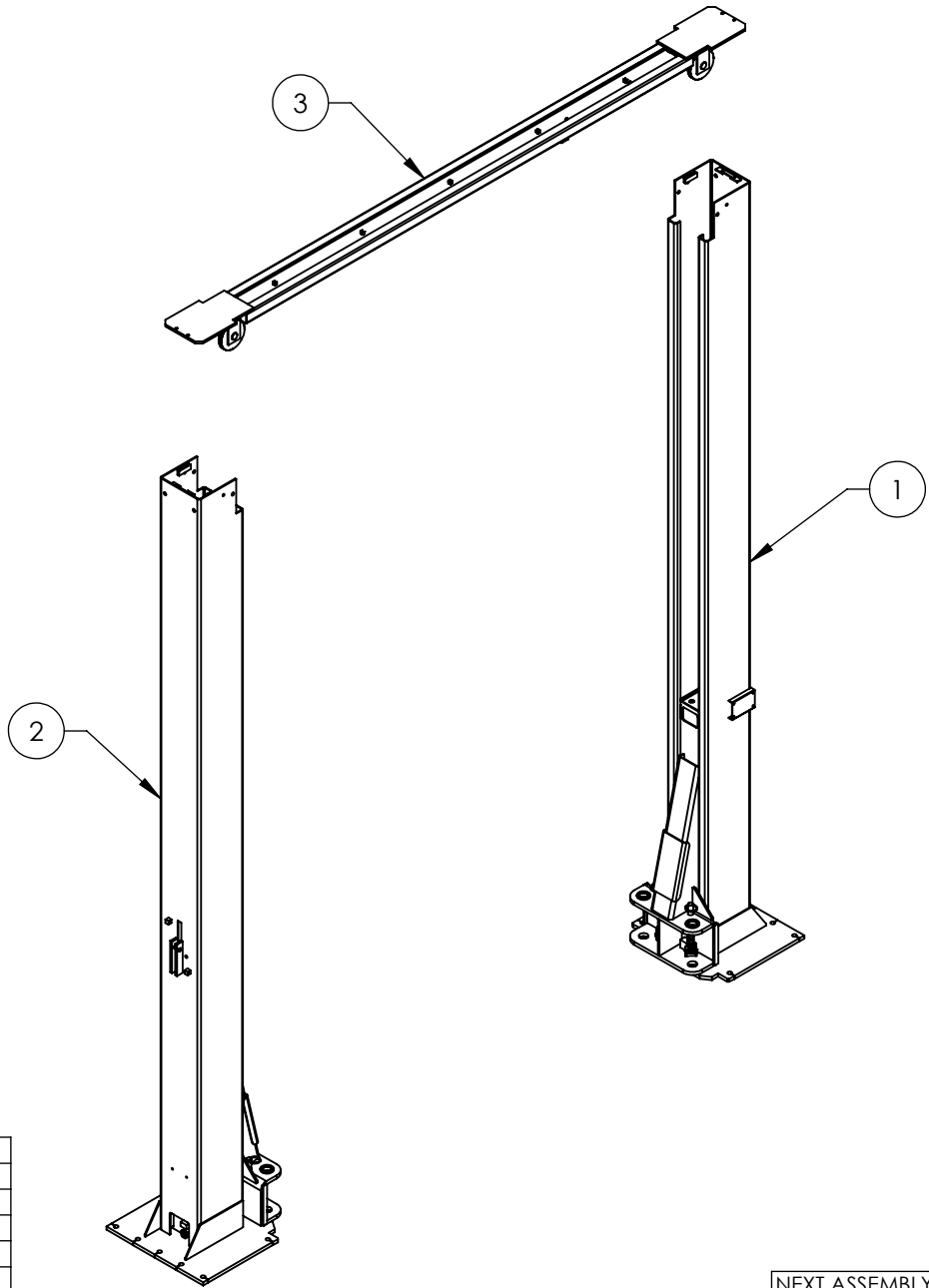
SCALE: 1:35

SHEET 1 OF 3



1645 LEMONWOOD DR. SANTA PAULA, CA 93060		
TITLE: XPR-18CL PRODUCTION LIFT VER E		
SIZE	DWG. NO.	REV
A	5260576	V
SCALE: 1:50		SHEET 2 OF 3

REVISION				
REV	DESCRIPTION	DATE	EDITED BY	ECO#
AD	UPDATED BOM REVISIONS	05/16/2019	TS	01086
AE	UPDATED BOM REVISIONS	03/13/2020	TM	01107
A	UPDATED BOM REVISIONS	12/22/2020	TM	01251



WHERE USED
XPR-12CL-LTA
XPR-12CL-LTA-192
XPR-15CL
XPR-15CL-192
XPR-18CL
XPR-18CL-192

NOTE: UNLESS OTHERWISE SPECIFIED.
 1. REFER TO MODEL FOR ADDITIONAL INFORMATION
 2. SEE SHIPPING INSTRUCTIONS FOR FINAL PACKAGING

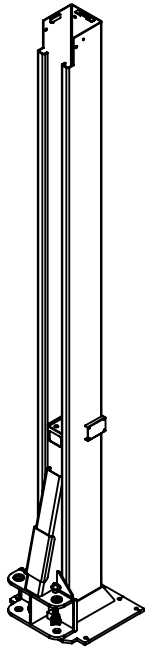
NEXT ASSEMBLY
5260292
5260293
5260564
5260571
5260576
5260577

ITEM NO	PART NUMBER	DESCRIPTION	QTY	REV
1	5215218	XPR-12CL-LTA/15/18CL POWER SIDE POST ASSEMBLY	1	AD
2	5215216	XPR-12CL-LTA/15/18CL OFF SIDE POST ASSEMBLY	1	AD
3	5210031	XPR-12/15/18C TOP TROUGH ASSEMBLY	1	L

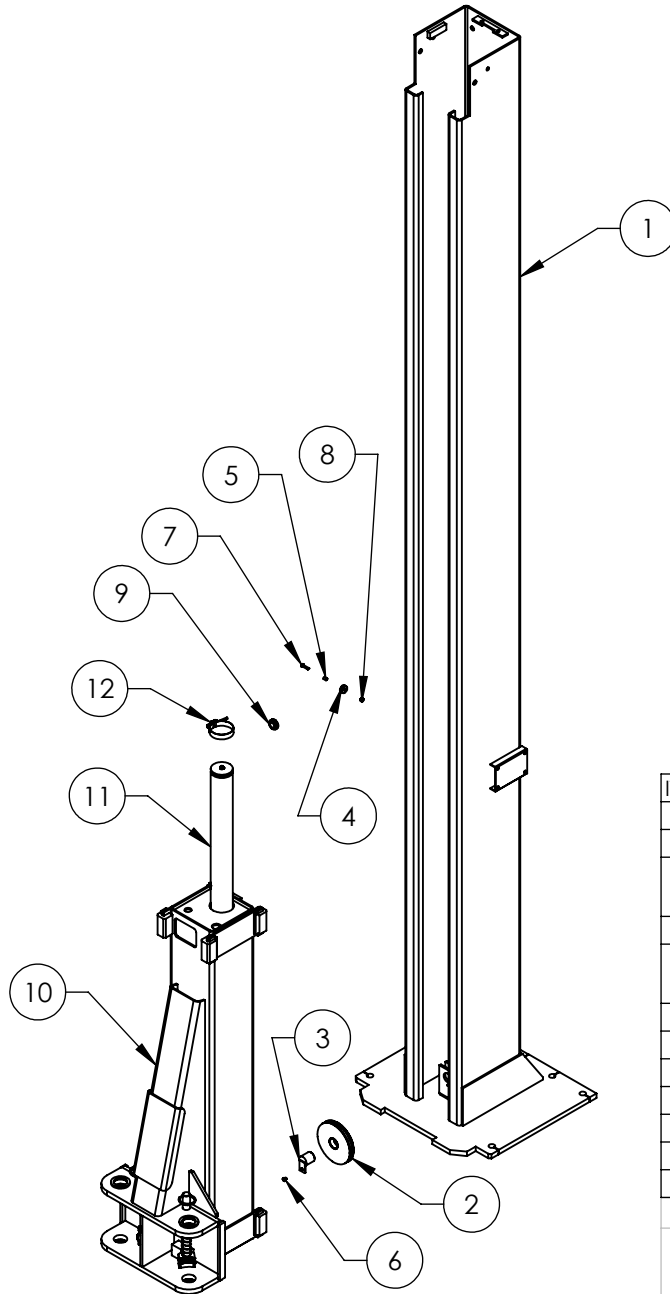
DO NOT SCALE DRAWING		NAME	DATE	 1645 LEMONWOOD DR. SANTA PAULA, CA 93060
		DRAWN	TM 02/03/2010	
		CHECKED	OR 12/31/2020	
DIMENSIONS ARE IN MM		THIRD ANGLE PROJECTION		TITLE:
				XPR-12CL-LTA/15/18CL LIFT SUPERSTRUCTURE
				SIZE DWG. NO.
		A 5245139		AF
SCALE: 1:35			SHEET 1 OF 1	

PROPRIETARY AND CONFIDENTIAL
 THE INFORMATION CONTAINED IN THIS DRAWING IS
 THE SOLE PROPERTY OF BENDPAK INC. ANY
 REPRODUCTION IN PART OR AS A WHOLE WITHOUT
 THE WRITTEN PERMISSION OF BENDPAK INC. IS
 PROHIBITED.

REVISION				
REV	DESCRIPTION	DATE	EDITED BY	ECO#
AB	UPDATED TITLE TO REFLECT MARKETING, UPDATED BOM REVISION	05/15/2019	TS	01086
AC	UPDATED BOM REVISION	03/11/2020	TM	01107
AD	UPDATED BOM REVISION	12/22/2020	TM	01251



ISOMETRIC VIEW
FOR REFERENCE ONLY
DO NOT SCALE



WHERE USED
XPR-12CL-LTA
XPR-12CL-LTA-192
XPR-15CL
XPR-15CL-192
XPR-18CL
XPR-18CL-192

NOTE: UNLESS OTHERWISE SPECIFIED.

1. REFER TO MODEL FOR ADDITIONAL INFORMATION
2. SEE SHIPPING INSTRUCTIONS FOR FINAL PACKAGING ASSEMBLE ITEMS AS SHOWN
3. ASSEMBLE ITEMS AS SHOWN

ITEM NO	PART NUMBER	DESCRIPTION	QTY	REV
1	5600399	XPR-12/15/18CL POWER SIDE POST WELDMENT	1	M
2	5575113	D2/XPR-12/15/18 SHEAVE ASSEMBLY	1	E
3	5620142	D2-12/15, XPR-12C/12FD/15/18C CABLE SHEAVE PIN WELDMENT	1	A
4	5575112	D2/GP/PCL/OXPR/PL-7000 SAFETY SHEAVE	1	C
5	5565350	D2/GP/PCL/XPR/PL-7000 SAFETY SHEAVE SPACER	1	C
6	5530030	HHB M6 x 1 x 8	1	-
7	5530756	HHB M6 x 1 x 25	1	-
8	5535357	NUT M6 x 1.0 NL	1	-
9	5520001	RUBBER GROMMET, 3/4 I.D.	1	-
10	5215086	XPR-XPR-12CL-LTA/15/18C LIFT HEAD ASSEMBLY	1	T
11	5502305	CYLINDER ASSEMBLY Ø2.5 x 69	1	J
12	5701115	CYLINDER CLAMP ASSY-74-79	1	-

DO NOT SCALE DRAWING

NAME DATE

DRAWN TM 01/28/2010

CHECKED OR 12/31/2020



1645 LEMONWOOD DR.
SANTA PAULA, CA 93060

DIMENSIONS ARE IN MM

THIRD ANGLE PROJECTION



PROPRIETARY AND CONFIDENTIAL
THE INFORMATION CONTAINED IN THIS DRAWING IS THE SOLE PROPERTY OF BENDPAK INC. ANY REPRODUCTION IN PART OR AS A WHOLE WITHOUT THE WRITTEN PERMISSION OF BENDPAK INC. IS PROHIBITED.

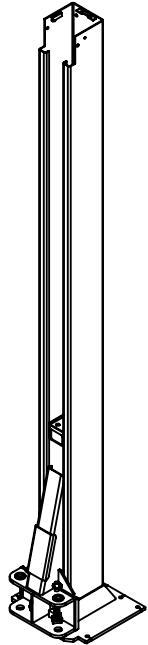
TITLE:
XPR-12CL-LTA/15/18CL
POWER SIDE POST ASSEMBLY

SIZE DWG. NO. REV
A 5215218 AD

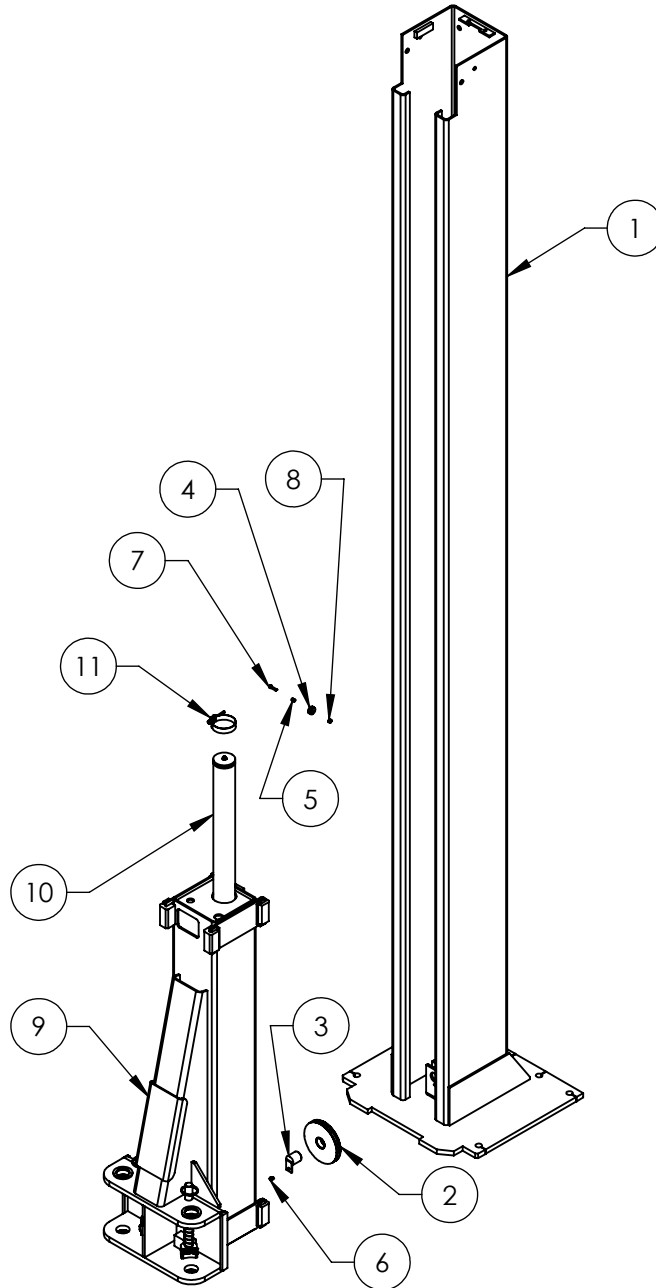
SCALE: 1:25

SHEET 1 OF 1

NEXT ASSEMBLY
5245139



ISOMETRIC VIEW
FOR REFERENCE ONLY
DO NOT SCALE



WHERE USED
XPR-12CL-LTA
XPR-12CL-LTA-192
XPR-15CL
XPR-15CL-192
XPR-18CL
XPR-18CL-192

NOTE: UNLESS OTHERWISE SPECIFIED.

1. REFER TO MODEL FOR ADDITIONAL INFORMATION
2. SEE SHIPPING INSTRUCTIONS FOR FINAL PACKAGING
3. ASSEMBLE ITEMS AS SHOWN

NEXT ASSEMBLY
5245139

REVISION				
REV	DESCRIPTION	DATE	EDITED BY	ECO#
AB	UPDATED TITLE TO REFLECT MARKETING, UPDATED BOM REVISION	05/15/2019	TS	01086
AC	UPDATED BOM REVISION	03/11/2020	TM	01107
AD	UPDATED BOM REVISION	12/22/2020	TM	01251

ITEM NO	PART NUMBER	DESCRIPTION	QTY	REV
1	5600404	XPR-12/15/18CL OFF SIDE POST WELDMENT	1	L
2	5575113	D2/XPR-12/15/18 SHEAVE ASSEMBLY	1	E
3	5620142	XPR-12C/12FD/15/18C CABLE SHEAVE PIN WELDMENT	1	A
4	5575112	D2/GP/PCL/OXPR/PL-7000 SAFETY SHEAVE	1	C
5	5565350	D2/GP/PCL/XPR/PL-7000 SAFETY SHEAVE SPACER	1	C
6	5530030	HHB M6 x 1 x 8	1	-
7	5530756	HHB M6 x 1 x 25	1	-
8	5535357	NUT M6 x 1.0 NL	1	-
9	5215086	XPR-XPR-12CL-LTA/15/18C LIFT HEAD ASSEMBLY	1	T
10	5502305	CYLINDER ASSEMBLY Ø2.5 x 69	1	J
11	5701115	CYLINDER CLAMP ASSY-74-79	1	-

DO NOT SCALE DRAWING

NAME DATE

DRAWN TM 01/28/2010

CHECKED OR 12/31/2020

DIMENSIONS ARE IN MM

THIRD ANGLE PROJECTION



PROPRIETARY AND CONFIDENTIAL
THE INFORMATION CONTAINED IN THIS DRAWING IS
THE SOLE PROPERTY OF BENDPAK INC. ANY
REPRODUCTION IN PART OR AS A WHOLE WITHOUT
THE WRITTEN PERMISSION OF BENDPAK INC. IS
PROHIBITED.



1645 LEMONWOOD DR.
SANTA PAULA, CA 93060

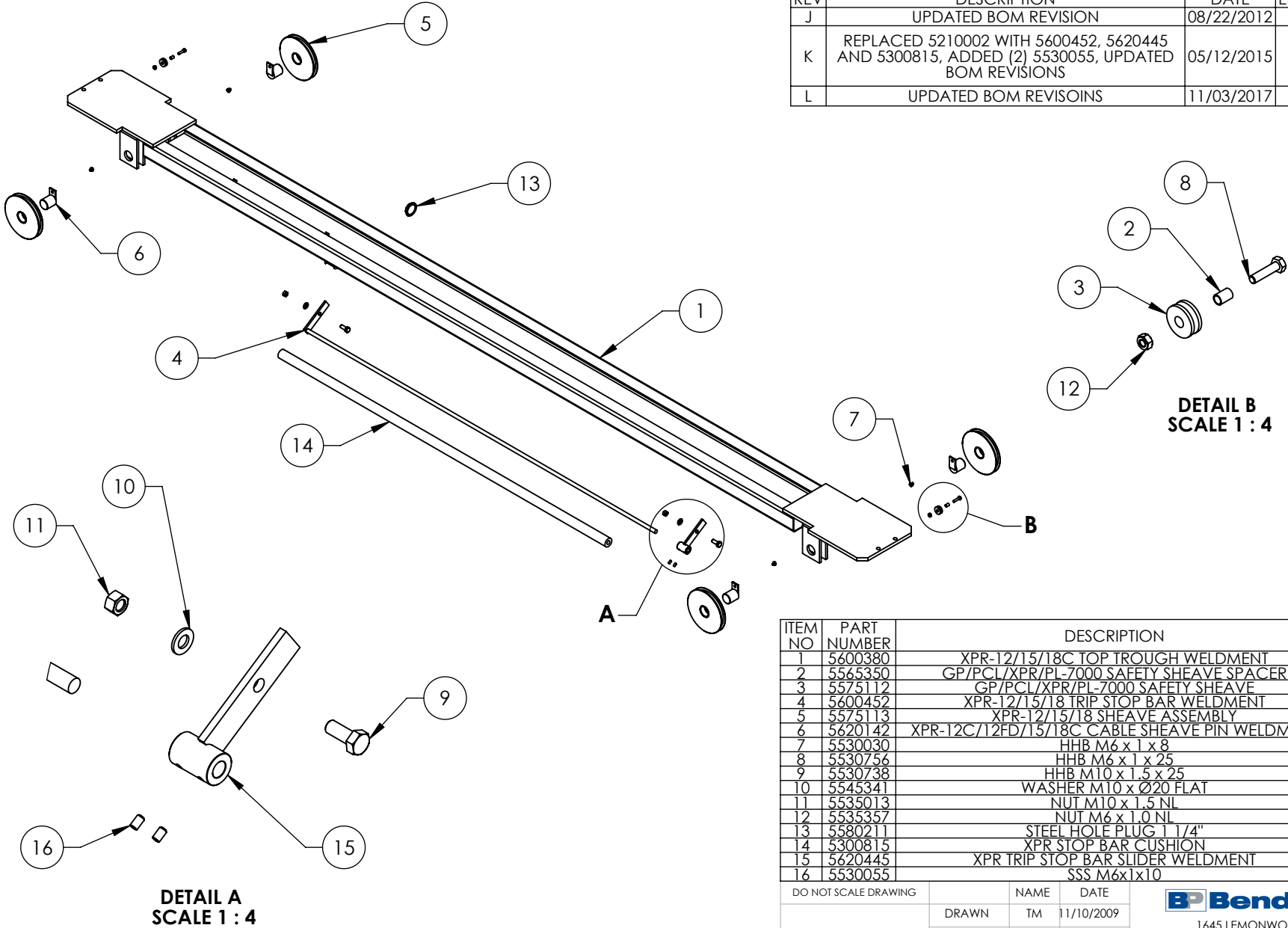
TITLE:
XPR-12CL-LTA/15/18CL
OFF SIDE POST ASSEMBLY

SIZE DWG. NO. REV
A 5215216 AD

SCALE: 1:25

SHEET 1 OF 1

REVISION				
REV	DESCRIPTION	DATE	EDITED BY	ECO#
J	UPDATED BOM REVISION	08/22/2012	TM	00542
K	REPLACED 5210002 WITH 5600452, 5620445 AND 5300815, ADDED (2) 5530055, UPDATED BOM REVISIONS	05/12/2015	TM	00689
L	UPDATED BOM REVISIONS	11/03/2017	TM	00900



**DETAIL A
SCALE 1 : 4**

**DETAIL B
SCALE 1 : 4**

ITEM NO	PART NUMBER	DESCRIPTION	QTY	REV
1	5600380	XPR-12/15/18C TOP TROUGH WELDMENT	1	E
2	5565350	GP/PCL/XPR/PL-7000 SAFETY SHEAVE SPACER	2	C
3	5575112	GP/PCL/XPR/PL-7000 SAFETY SHEAVE	2	C
4	5600452	XPR-12/15/18 TRIP STOP BAR WELDMENT	1	A
5	5575113	XPR-12/15/18 SHEAVE ASSEMBLY	4	E
6	5620142	XPR-12C/12FD/15/18C CABLE SHEAVE PIN WELDMENT	4	A
7	5530030	HHB M6 x 1 x 8	4	--
8	5530756	HHB M6 x 1 x 25	2	--
9	5530738	HHB M10 x 1.5 x 25	2	--
10	5545341	WASHER M10 x Ø20 FLAT	2	--
11	5535013	NUT M10 x 1.5 NL	2	--
12	5535357	NUT M6 x 1.0 NL	2	--
13	5580211	STEEL HOLE PLUG 1 1/4"	1	--
14	5300815	XPR STOP BAR CUSHION	1	D
15	5620445	XPR TRIP STOP BAR SLIDER WELDMENT	1	C
16	5530055	SSS M6x1x10	2	--

DO NOT SCALE DRAWING

NAME	DATE
DRAWN TM	11/10/2009
CHECKED	



1645 LEMONWOOD DR.
SANTA PAULA, CA 93060

DIMENSIONS ARE IN MM

THIRD ANGLE PROJECTION

TITLE: XPR-12/15/18C TOP TROUGH ASSEMBLY



SIZE	DWG. NO.	REV
A	5210031	L

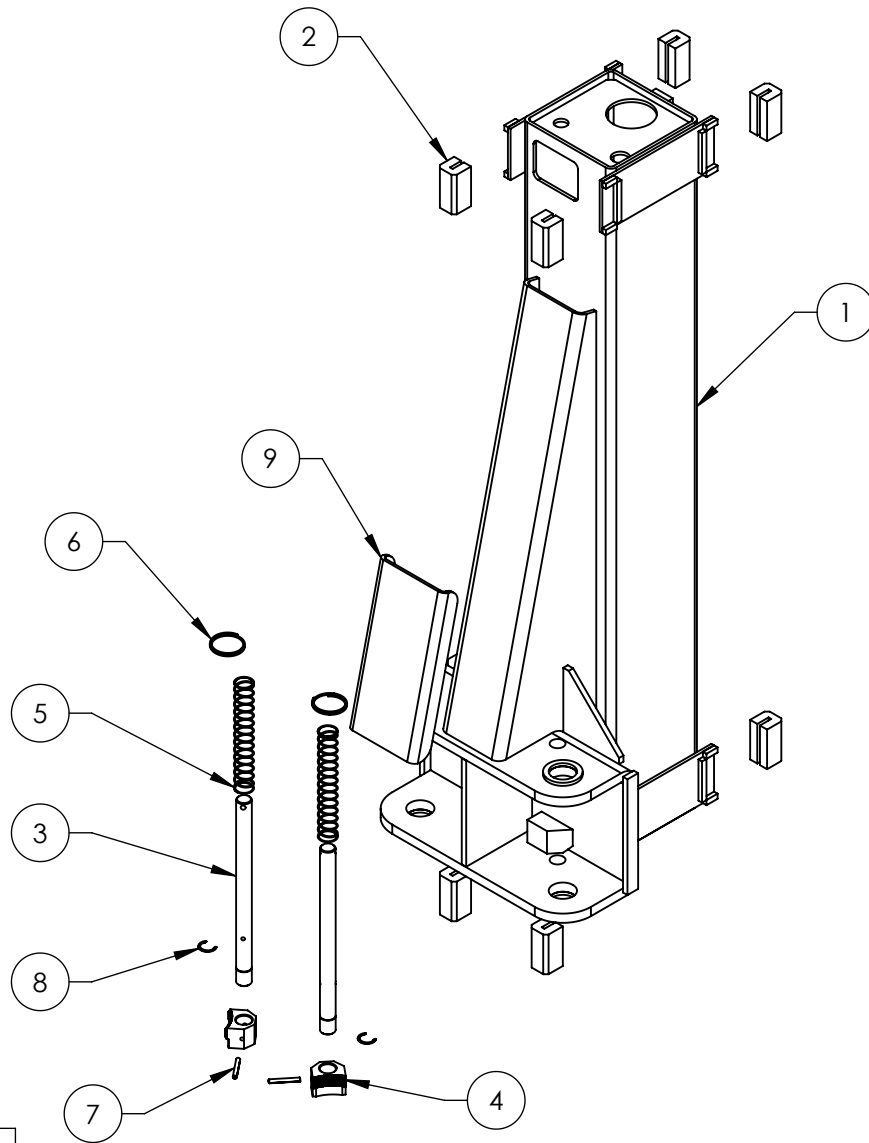
PROPRIETARY AND CONFIDENTIAL
THE INFORMATION CONTAINED IN THIS DRAWING IS THE SOLE PROPERTY OF BENDPAK INC. ANY REPRODUCTION IN PART OR AS A WHOLE WITHOUT THE WRITTEN PERMISSION OF BENDPAK INC. IS PROHIBITED.

SCALE: 1:18

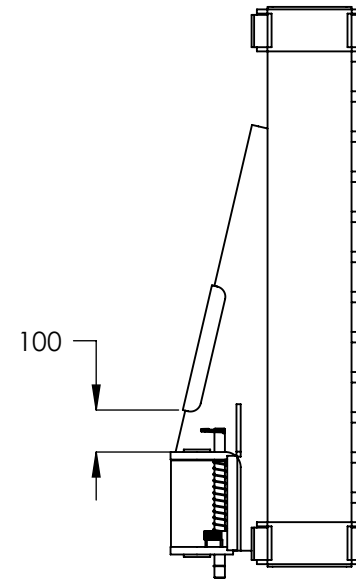
SHEET 1 OF 1

NOTE: UNLESS OTHERWISE SPECIFIED.
1. SEE SHIPPING INSTRUCTIONS FOR FINAL PACKAGING
2. ASSEMBLE ITEMS AS SHOWN

NEXT ASSEMBLY
5245138
5245139



REVISION				
REV	DESCRIPTION	DATE	EDITED BY	ECO#
Q	UPDATED BOM REVISION	03/07/2018	CA	00929
R	UPDATED BOM REVISION	03/29/2018	TM	00930
T	UPDATED TITLE TO REFLECT WHERE USED, UPDATED BOM REVISION	03/11/2020	TM	01107



WHERE USED
XPR-12CL-LTA
XPR-15C SERIES
XPR-18C SERIES

NOTE: UNLESS OTHERWISE SPECIFIED.

1. REFER TO MODEL FOR ADDITIONAL INFORMATION
2. SEE SHIPPING INSTRUCTIONS FOR FINAL PACKAGING
3. ASSEMBLE ITEMS AS SHOWN

ITEM NO	PART NUMBER	DESCRIPTION	QTY	REV
1	5600395	XPR-12CL-LTA/15/18C LIFT HEAD WELDMENT	1	L
2	5716001	2 POST GUIDE BLOCK	8	G
3	5746099	XPR-12C/FD/15/18C Ø25mm LONG GEAR SHAFT	2	E
4	5701052	GP/XPR ARM INTERNAL GEAR STOP	2	F
5	5540130	XPR-12C/FD/15/18C LIFT HEAD SPRING	2	A
6	5580219	KEYRING 56mm x 3mm	2	-
7	5505106	SPRING PIN M6 x 50	2	-
8	5540006	SNAP RING TRUARC 5103-100	2	-
9	5930184	XPR-12/15/18 LIFT HEAD GUSSET COVER	1	C

DO NOT SCALE DRAWING	NAME	DATE
	DRAWN TM	11/30/2009
	CHECKED OR	04/15/2020

BendPak
 1645 LEMONWOOD DR.
 SANTA PAULA, CA 93060

DIMENSIONS ARE IN MM

THIRD ANGLE PROJECTION

PROPRIETARY AND CONFIDENTIAL
 THE INFORMATION CONTAINED IN THIS DRAWING IS THE SOLE PROPERTY OF BENDPAK INC. ANY REPRODUCTION IN PART OR AS A WHOLE WITHOUT THE WRITTEN PERMISSION OF BENDPAK INC. IS PROHIBITED.

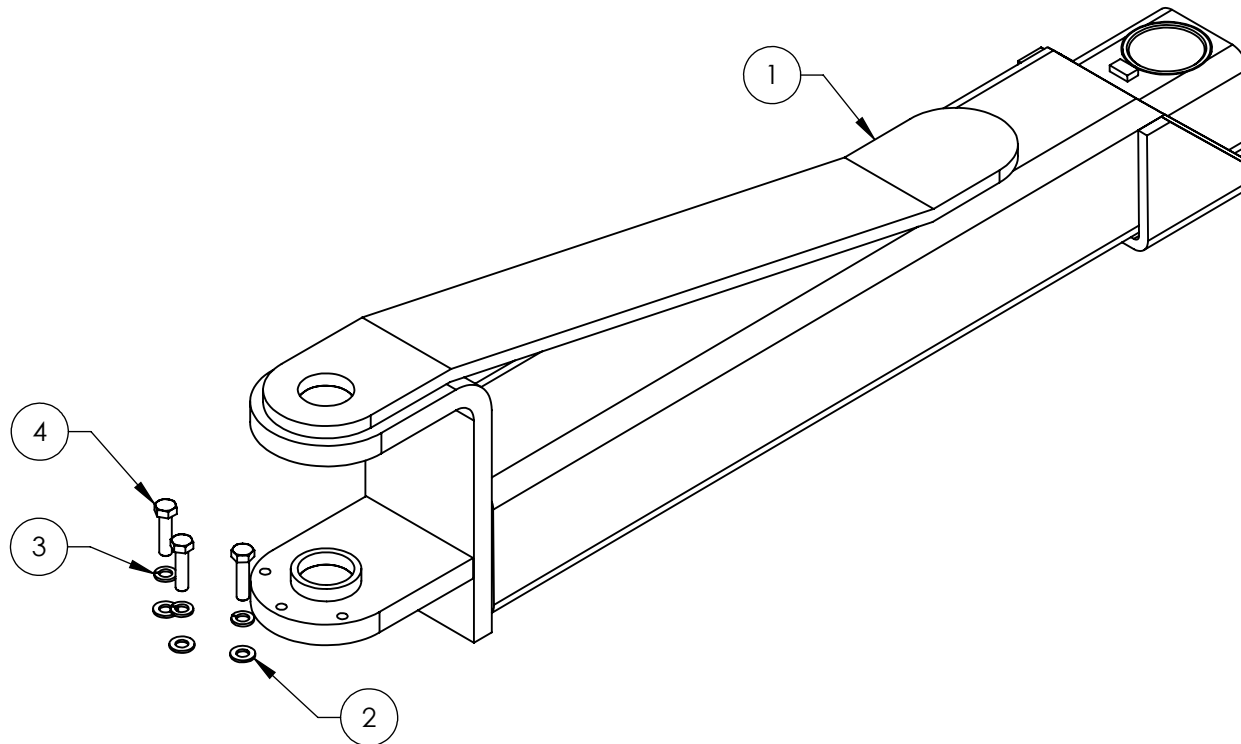
TITLE:
 XPR-XPR-12CL-LTA/15/18C
 LIFT HEAD ASSEMBLY

SIZE DWG. NO. REV
 A 5215086 T

SCALE: 1:12 SHEET 1 OF 1

NEXT ASSEMBLY
5215216
5215218

REVISION				
REV	DESCRIPTION	DATE	EDITED BY	ECO#
H	UPDATED BOM REVISION	05/29/2018	TM	00953
J	UPDATED BOM REVISION	03/27/2019	TS	01066
K	UPDATED BOM REVISION	08/23/2019	TM	01123



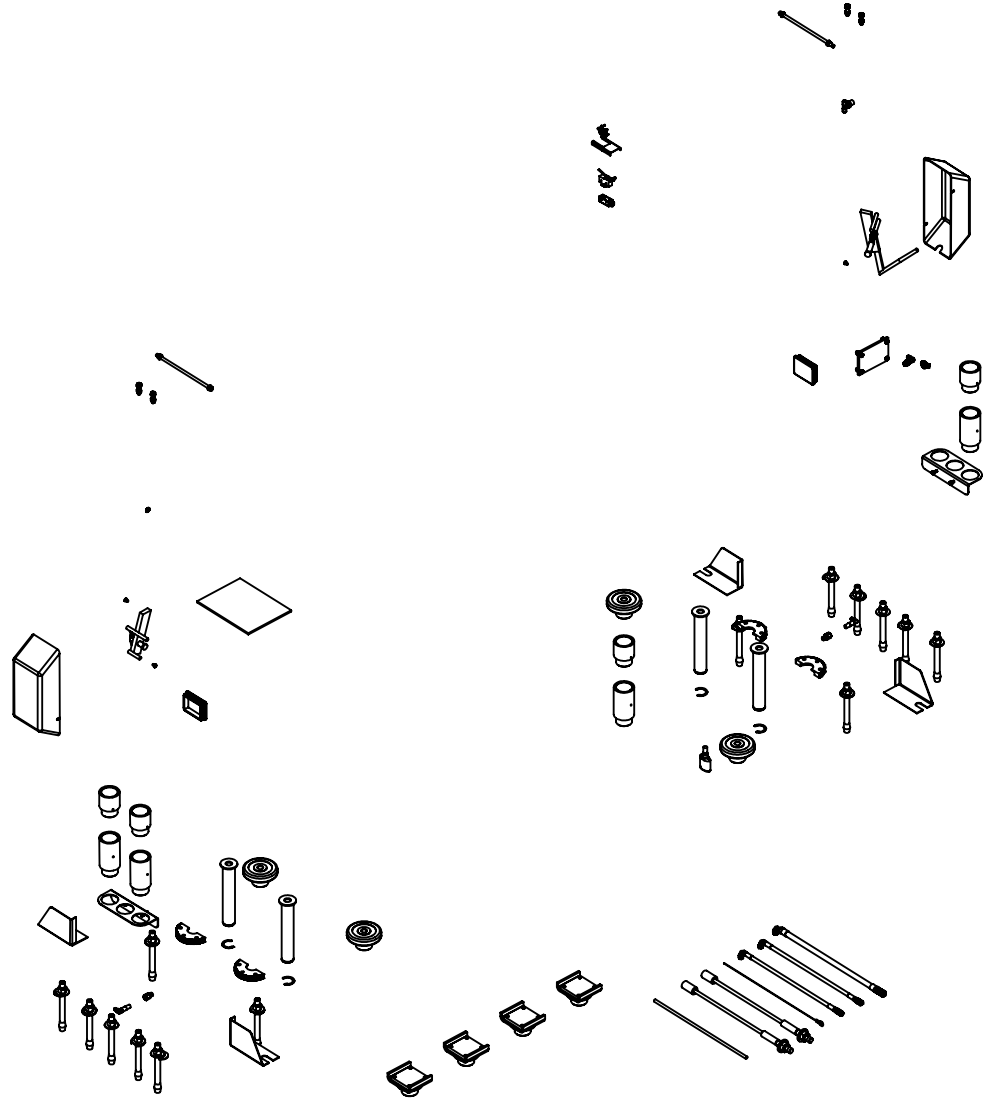
WHERE USED
D2-15C
XPR-15CL
XPR-15CL-192
XPR-18CL
XPR-18CL-192

NOTE: UNLESS OTHERWISE SPECIFIED.

1. REFER TO MODEL FOR ADDITIONAL INFORMATION
2. SEE SHIPPING INSTRUCTIONS FOR FINAL PACKAGING
3. ASSEMBLE ITEMS AS SHOWN

ITEM NO	PART NUMBER	DESCRIPTION	QTY	REV
1	5600986	XPR-15/18CL ARM WELDMNT	1	J
2	5545341	WASHER M10 x Ø20 FLAT	3	-
3	5545200	WASHER M10 x Ø18 SL	3	-
4	5530302	HHB M10 x 1.5 x 40 FULLY THREAD	3	-

DO NOT SCALE DRAWING		NAME	DATE	 1645 LEMONWOOD DR. SANTA PAULA, CA 93060
DRAWN		JM	06/24/2015	
CHECKED		CA	8/28/2019	
DIMENSIONS ARE IN MM		THIRD ANGLE PROJECTION		TITLE: D2-15/XPR-15CL/18CL ARM ASSEMBLY
				SIZE DWG. NO.
				A 5215273
NEXT ASSEMBLY		REV		K
5260564		SCALE: 1:6		SHEET 1 OF 1
5260571		<small>PROPRIETARY AND CONFIDENTIAL THE INFORMATION CONTAINED IN THIS DRAWING IS THE SOLE PROPERTY OF BENDPAK INC. ANY REPRODUCTION IN PART OR AS A WHOLE WITHOUT THE WRITTEN PERMISSION OF BENDPAK INC. IS PROHIBITED.</small>		
5260576				
5260577				
5260628				



WHERE USED
XPR-18CL

NOTE: UNLESS OTHERWISE SPECIFIED.

1. REFER TO MODEL FOR ADDITIONAL INFORMATION
2. SEE SHIPPING INSTRUCTIONS FOR FINAL PACKAGING
3. FOR 5220116 SPECIFICATIONS REFER TO PART SPECIFICATION FORM (*) 5520116 QTY FOR REFERENCE ONLY

NEXT ASSEMBLY
5260576

REVISION				
REV	DESCRIPTION	DATE	EDITED BY	ECO#
D	ADDED 5701660, 570661 AND 5701662, REMOVED 5535011 AND 5545345, UPDATED BOM REVISION	03/17/2020	TM	01107
E	UPDATED BOM REVISION	10/05/2020	TM	01215
F	UPDATED BOM REVISION	06/22/2021	TM	01310

ITEM NO	PART NUMBER	DESCRIPTION	QTY	REV
1	5174518	D2-12/15, XPR CLEARFLOOR PARTS BAG	1	N
2	5736606	D2/XPR-15/18 BOLT ON ARM RESTRAINT GEAR	4	F
3	5746192	ARM ADAPTER, MEDIUM	4	E
4	5746193	ARM ADAPTER, LONG	4	D
5	5716174	D2-8/12/15, GP/XPR OFF SIDE PLASTIC SAFETY COVER	1	B
6	5716173	D2-8/12/15, GP/XPR POWER SIDE PLASTIC SAFETY COVER	1	B
7	5215701	ROUND LIFT PAD ADAPTER ASSEMBLY	4	D
8	5715003	POWER UNIT VIBRATION DAMPENER	1	B
9	5210010	D2/XPR OFF SIDE SAFETY WELDMENT	1	F
10	5210196	D2/XPR POWER SIDE INCLINED SAFETY ASSEMBLY	1	C
11	5600349	D2/XPR-15/18C LIFT HEAD PIN WELDMENT	4	C
12	5570150	HYDRAULIC HOSE ASSEMBLY Ø6.35 x 9611mm SB	1	E
13	5570017	HYDRAULIC HOSE ASSEMBLY Ø10 x 1219mm SB	1	D
14	5570832	HYDRAULIC HOSE ASSEMBLY Ø6.35 x 2299mm SB	1	F
15	5595125	Ø2.4mm x 8900 SAFETY CABLE	1	C
16	5595922	CABLE ASSEMBLY Ø12 x 10640mm ST	2	D
17	5540112	SNAP RING; TRUARC 5103-175	4	-
18	5746166	DOUBLE THREADED ROD M10 x 1.5 x 295	2	B
19	5716634	D2/10AP/XPR MICROSWITCH COVER, PLASTIC	1	B
20	5530308	AB 3/4" x 7"	14	-
21	5550112	FTG NPL -04 NPT x -04 F NPT	2	-
22	5520116	14-4 SJO UL 62 CABLE 300vac	4275mm*	-
23	5525150	SPDT MICRO SWITCH;25A@125VAC	1	-
24	5525112	MICRO SWITCH COVER-5PA2	1	-
25	5215702	CRADLE LIFT PAD LARGE ADAPTER ASSEMBLY	4	E
26	5900370	XPR-12CL-18CL INSTALLATION MANUAL	1	-
27	5701660	10AP/D2-12/15/XPR HEIGHT ADAPTER HOLDER	2	B
28	5701662	D2/XPR-12/15/18 FOOT GUARD, L.H.	2	A
29	5701661	D2/XPR-12/15/18 FOOT GUARD, R.H.	2	A

DO NOT SCALE DRAWING	NAME	DATE
	DRAWN TM	10/31/2018
	CHECKED OR	07/01/2021

BendPak
1645 LEMONWOOD DR.
SANTA PAULA, CA 93060

TITLE:
XPR-18CL PARTS BOX

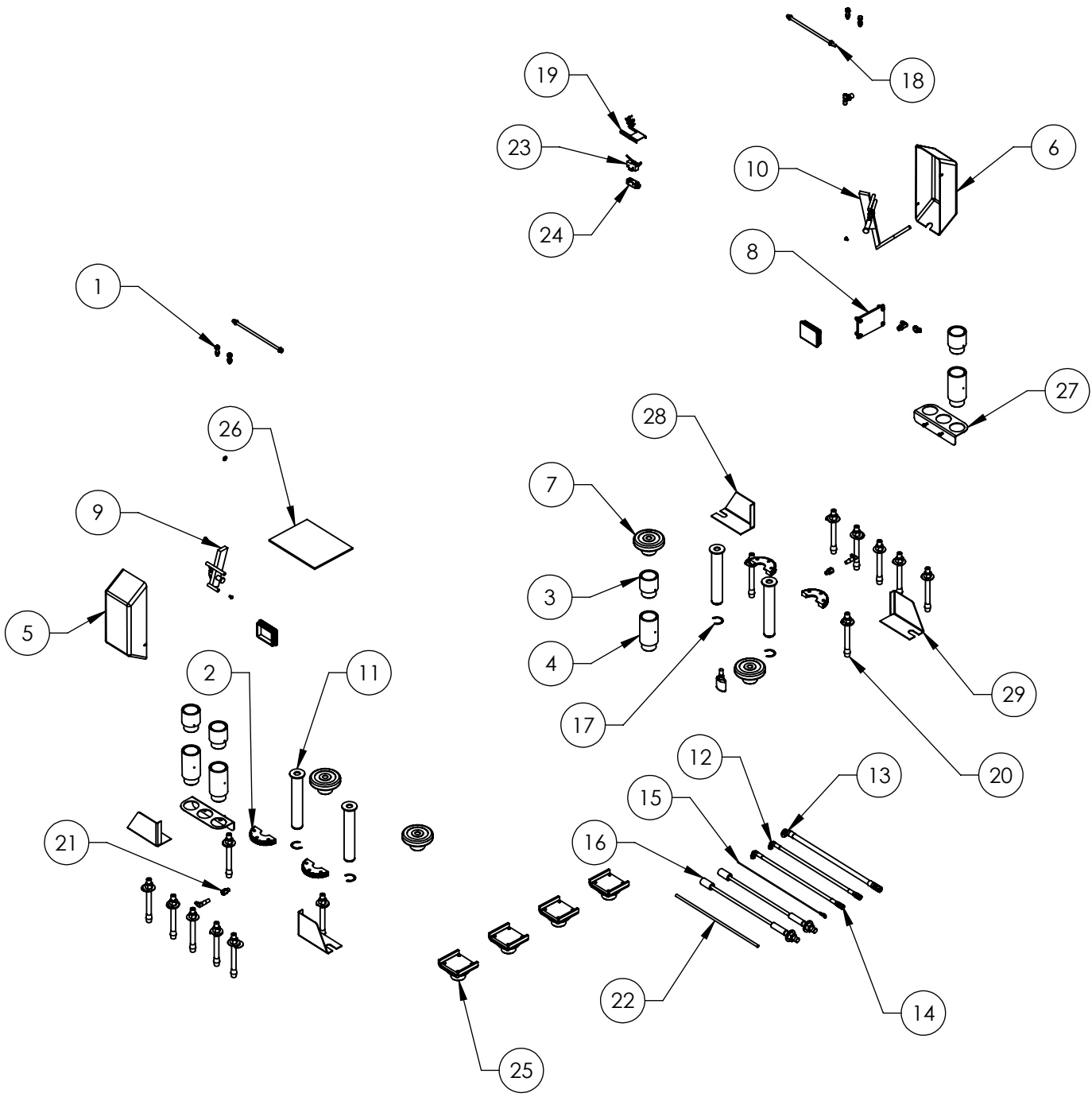
SIZE DWG. NO. **A 5250268** REV **F**

SCALE: 1:28 SHEET 1 OF 2

THIRD ANGLE PROJECTION

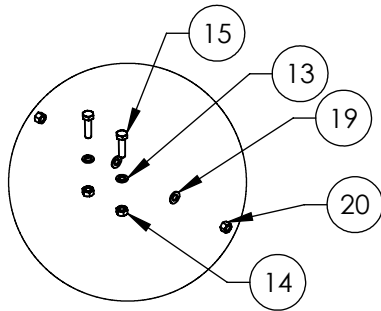
PROPRIETARY AND CONFIDENTIAL
THE INFORMATION CONTAINED IN THIS DRAWING IS THE SOLE PROPERTY OF BENDPAK INC. ANY REPRODUCTION IN PART OR AS A WHOLE WITHOUT THE WRITTEN PERMISSION OF BENDPAK INC. IS PROHIBITED.



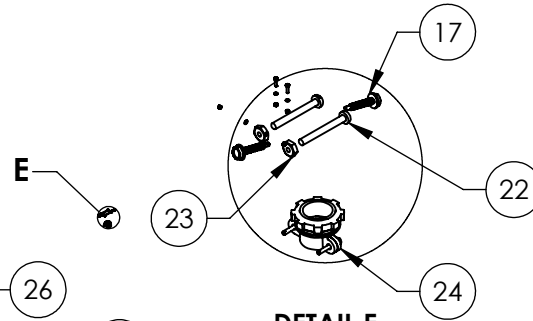


1645 LEMONWOOD DR. SANTA PAULA, CA 93060		
TITLE: XPR-18CL PARTS BOX		
SIZE A	DWG. NO. 5250268	REV F
SCALE: 1:25		SHEET 2 OF 2

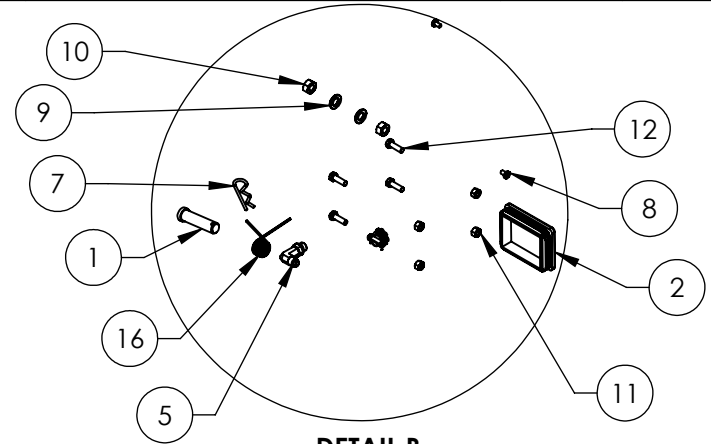
REVISION				
REV	DESCRIPTION	DATE	EDITED BY	ECO#
L	REMOVED 5520001, UPDATED NEXT ASSEMBLIES	10/10/2018	TM	01011
M	ADDED 5535357, 5530093, 5545005, AND 5580012, REPLACED 5530750 WITH 5530799	02/20/2020	TM	01107
N	REPLACED 5505001 WITH 5505113, REMOVED (2) 5540075	10/05/2020	TM	01215



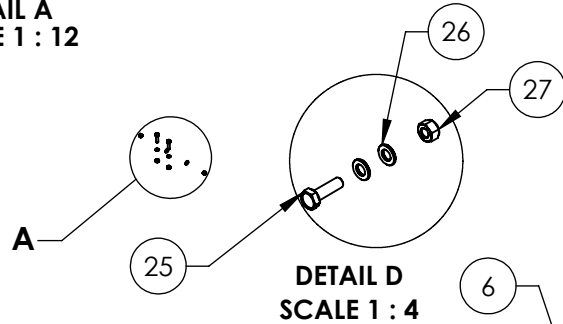
DETAIL A
SCALE 1 : 12



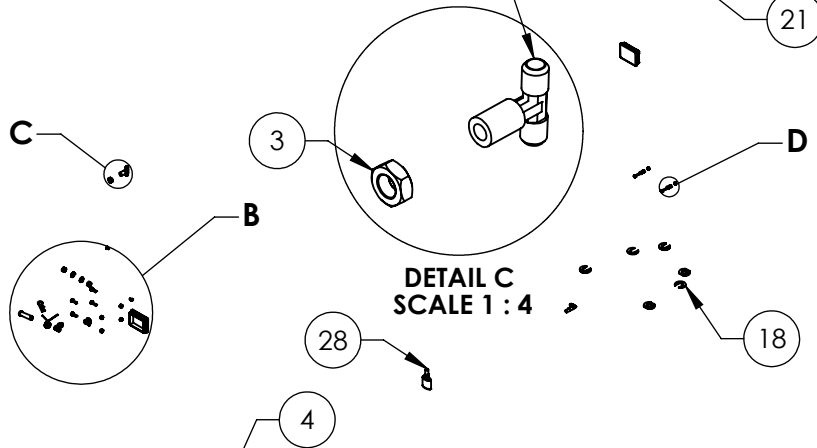
DETAIL E
SCALE 1 : 4



DETAIL B
SCALE 1 : 12



DETAIL D
SCALE 1 : 4



DETAIL C
SCALE 1 : 4

WHERE USED
D2-12C
D2-15C
XPR-10AXLS
XPR-10AS
XPR-10S
XPR-10XLS
XPR-12CL
XPR-12CL-LTA/15CL
XPR-18CL

NEXT ASSEMBLY
5250083
5250084
5250088
5250203
5250254
5250266
5250268
5250314
5250315

ITEM NO	PART NUMBER	DESCRIPTION	QTY	REV
1	5505113	2 POST SAFETY CLEVIS PIN	2	H
2	5715196	D2/XPR POLYETHYLENE COVER BLOCK 105 x 80	2	D
3	5535022	NUT 9/16"-18 JN	1	-
4	5550113	FIG FLB -04 NPT L x -04 JIC	2	-
5	5550183	FIG FLB -06 JIC -06L ORB	1	-
6	5550003	FIG TEE -04 JIC -04 JIC -06 JIC	1	-
7	5505350	MODEL #2111 HAIR PIN/ LARGE	2	-
8	5530261	PHPS M6 x 1 x 10	4	-
9	5545347	WASHER M12 FLAT WASHER	2	-
10	5535354	NUT M12 x 1.75	2	-
11	5535001	NUT M8 x 1.25 NL	4	-
12	5530010	HBB M8 x 1.25 x 25	4	-
13	5545200	WASHER M10 x Ø18 SL	4	-
14	5535998	NUT M10 x 1.5	4	-
15	5530760	HBB M10 x 1.5 x 38	4	-
16	5540075	R.H., 2.5 WIRE DIA., Ø20.5 x 75 LG	2	B
17	5530799	HSDS M4.2 x 1.41 x 20	2	-
18	5545335	C WASHER SHIM FOR TIFTS	20	-
19	5545341	WASHER M10 x Ø20 FLAT	4	-
20	5535013	NUT M10 x 1.5 NL	4	-
21	5505031	ROTOR CLIP 12mm SS	1	-
22	5530115	BHS 6-32 x 1.25	2	-
23	5535190	HN 6-32	2	-
24	5520140	ROMEX CONNECTOR 3/8 #6623	2	-
25	5530093	HBB M6 x 1 x 20	4	-
26	5545005	M6 FLAT WASHER	8	-
27	5535357	NUT M6 x 1.0 NL	4	-
28	5580012	LIQUID PTFE THREAD SEALANT 50ml	1	-

DO NOT SCALE DRAWING

NAME	DATE
DRAWN TM	02/11/2010
CHECKED OR	10/19/2020



DIMENSIONS ARE IN MM



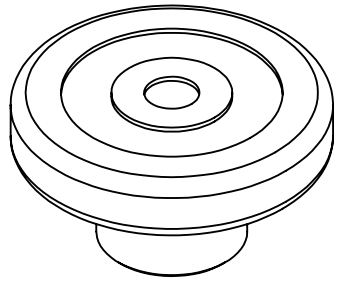
PROPRIETARY AND CONFIDENTIAL
THE INFORMATION CONTAINED IN THIS DRAWING IS THE SOLE PROPERTY OF BENDPAK INC. ANY REPRODUCTION IN PART OR AS A WHOLE WITHOUT THE WRITTEN PERMISSION OF BENDPAK INC. IS PROHIBITED.

TITLE: D2-12/15, XPR CLEARFLOOR PARTS BAG

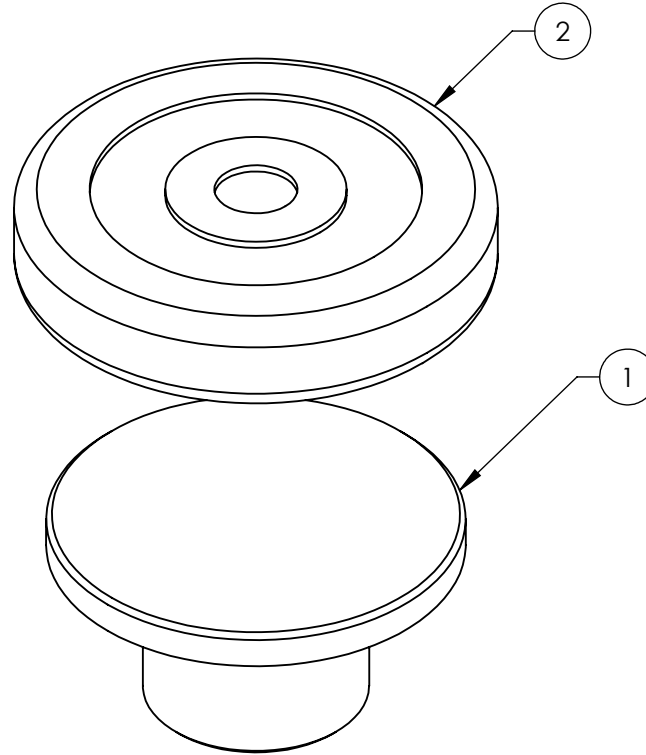
SIZE DWG. NO.	REV
A 5174518	N

SCALE: 1:30 SHEET 1 OF 1

NOTE: UNLESS OTHERWISE SPECIFIED.
1. SEE SHIPPING INSTRUCTIONS FOR FINAL PACKAGING



ISOMETRIC VIEW
FOR REFERENCE ONLY
DO NOT SCALE



REVISION				
REV	DESCRIPTION	DATE	EDITED BY	ECO#
B	UPDATED BOM REVISION	04/22/2016	CA	00750
B-001	UPDATED NEXT ASSEMBLY	07/05/2017	TM	00849
C	UPDATED BOM REVISION	02/09/2018	TS	00922
D	UPDATED BOM REVISION	05/31/2018	TM	00953

WHERE USED
D2-12C
D2-15C
XPR-12 SERIES
XPR-15 SERIES
XPR-18 SERIES

NOTE: UNLESS OTHERWISE SPECIFIED.

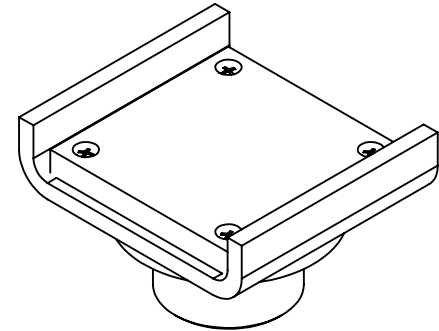
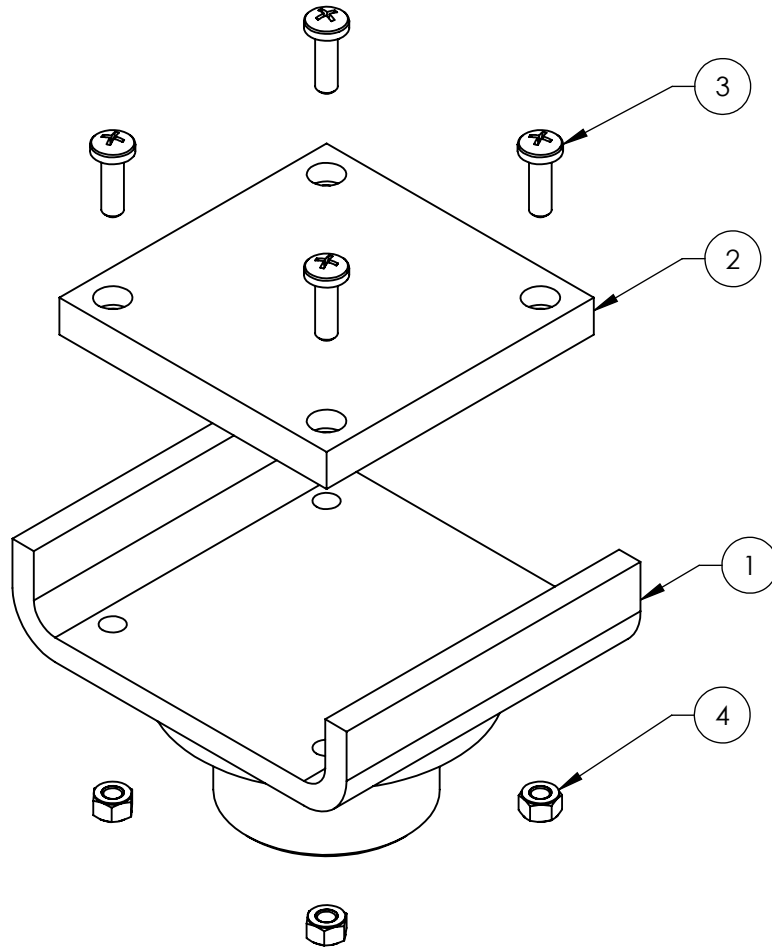
- REFER TO MODEL FOR ADDITIONAL INFORMATION
- SEE SHIPPING INSTRUCTIONS FOR FINAL PACKAGING
- ASSEMBLE ITEMS AS SHOWN

NEXT ASSEMBLY
5250254
5250263
5250264
5250266
5250267
5250268
5250269
5250314
5250315

ITEM NO	PART NUMBER	DESCRIPTION	QTY	REV
1	5600999	ROUND LIFT PAD WELDMENT	1	C
2	5715017	ROUND LIFT PAD ADAPTER POLYURETHANE PAD	1	E

DO NOT SCALE DRAWING		NAME	DATE	 1645 LEMONWOOD DR. SANTA PAULA, CA 93060
DIMENSIONS ARE IN MM 		DRAWN	JM 06/26/2015	
		CHECKED	CA 06/18/2018	
THIRD ANGLE PROJECTION				TITLE: ROUND LIFT PAD ADAPTER ASSEMBLY
PROPRIETARY AND CONFIDENTIAL THE INFORMATION CONTAINED IN THIS DRAWING IS THE SOLE PROPERTY OF BENDPAK INC. ANY REPRODUCTION IN PART OR AS A WHOLE WITHOUT THE WRITTEN PERMISSION OF BENDPAK INC. IS PROHIBITED.		SIZE DWG. NO. A 5215701	REV D	SCALE: 1:2
				SHEET 1 OF 1

REVISION				
REV	DESCRIPTION	DATE	EDITED BY	ECO#
C	UPDATED BOM REVISION	04/22/2016	CA	00750
C-001	UPDATED NEXT ASSEMBLY	07/05/2017	TM	00849
D	UPDATED BOM REVISION	02/26/2018	TM	00930
E	UPDATED BOM REVISION	05/31/2018	TM	00953



ISOMETRIC VIEW
FOR REFERENCE ONLY
DO NOT SCALE

WHERE USED
D2-12/15 SERIES
XPR-12FDL SERIES
XPR-12CL SERIES
XPR-15 SERIES
XPR-18 SERIES

NOTE: UNLESS OTHERWISE SPECIFIED.

- REFER TO MODEL FOR ADDITIONAL INFORMATION
- SEE SHIPPING INSTRUCTIONS FOR FINAL PACKAGING
- ASSEMBLE ITEMS AS SHOWN

ITEM NO	PART NUMBER	DESCRIPTION	QTY	REV
1	5601000	CRADLE LIFT PAD WELDMENT	1	C
2	5715020	CRADLE LIFT PAD LARGE POLYURETHANE PAD	1	C
3	5530022	BPHS M6 x 1 x 20 ZPL	4	--
4	5535357	NUT M6 x 1.0 NL	4	--

NEXT ASSEMBLY
5250254
5250263
5250264
5250266
5250267
5250268
5250269
5250314
5250315

DO NOT SCALE DRAWING

NAME	DATE
DRAWN JM	06/24/2015
CHECKED CA	06/18/2018



1645 LEMONWOOD DR.
SANTA PAULA, CA 93060

DIMENSIONS ARE IN MM



THIRD ANGLE PROJECTION



PROPRIETARY AND CONFIDENTIAL
THE INFORMATION CONTAINED IN THIS DRAWING IS
THE SOLE PROPERTY OF BENDPAK INC. ANY
REPRODUCTION IN PART OR AS A WHOLE WITHOUT
THE WRITTEN PERMISSION OF BENDPAK INC. IS
PROHIBITED.

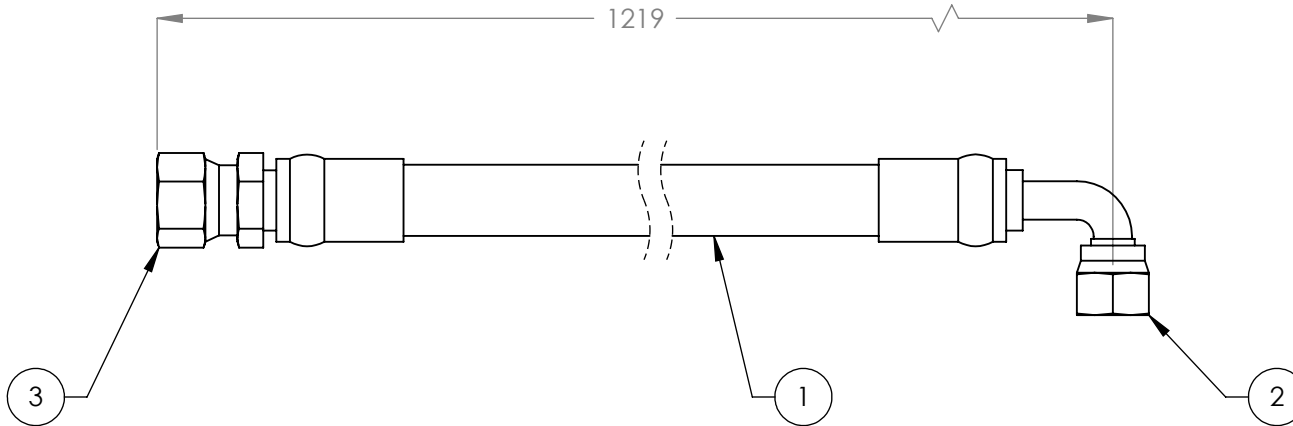
TITLE: CRADLE LIFT PAD LARGE
ADAPTER ASSEMBLY

SIZE DWG. NO. REV
A 5215702 E

SCALE: 1:2

SHEET 1 OF 1

REVISION				
REV	DESCRIPTION	DATE	EDITED BY	ECO#
B	UPDATED TITLE TO REFLECT WHERE USED, UPDATED NEXT ASSEMBLIES	01/12/2012	TM	00490
C	UPDATED TITLE TO REFLECT WHERE USED, UPDATED NEXT ASSEMBLIES	06/21/2013	TM	00605
C-001	UPDATED NEXT ASSEMBLIES	10/16/2014	TM	00663
C-002	UPDATED NEXT ASSEMBLIES	11/24/2015	TM	00738
C-003	UPDATED NEXT ASSEMBLY	06/25/2018	TM	00964
D	UPDATED TITLE TO REFLECT STANDARDS, UPDATED NEXT ASSEMBLY	01/15/2020	TM	01107



WHERE USED
10AP
10AP-168
D2-10/12/15 SERIES
XPR CLEARFLOOR SERIES

NOTE: UNLESS OTHERWISE SPECIFIED.

- FOR ITEM 1 SPECIFICATIONS REFER TO PART SPECIFICATION FORM
- ITEM 1 QTY FOR REFERENCE ONLY

NEXT ASSEMBLY	
5250084	5250314
5250087	5250315
5250088	
5250089	
5250254	
5250264	
5250266	
5250267	
5250268	
5250269	
5250296	
5250297	
5250298	
5250299	

ITEM NO	PART NUMBER	DESCRIPTION	QTY	REV
1	5570116	Ø10 ID HYDRAULIC HOSE	1144mm*	-
2	5550337	FTG ELB -06 CRIMP x -06 JIC	1	-
3	5550336	FTG NPL -06 CRIMP x -06 JIC	1	-

DO NOT SCALE DRAWING

DIMENSIONS ARE IN MM
TOLERANCES:
0 = ±1.5
0.0 = ±0.5

SURFACE FINISH 1.6 ISO Ra µm
FOR MACHINED SURFACES
UNLESS OTHERWISE SPECIFIED

NAME	DATE
DRAWN TM	08/27/2009
CHECKED OR	04/17/2020

THIRD ANGLE PROJECTION

BP BendPak.
1645 LEMONWOOD DR.
SANTA PAULA, CA 93060

TITLE:
HYDRAULIC HOSE ASSEMBLY
Ø10 x 1219mm SB

SIZE DWG. NO. REV

A 5570017 **D**

SCALE: 1:2 SHEET 1 OF 1

PROPRIETARY AND CONFIDENTIAL
THE INFORMATION CONTAINED IN THIS DRAWING IS THE SOLE PROPERTY OF BENDPAK INC. ANY REPRODUCTION IN PART OR AS A WHOLE WITHOUT THE WRITTEN PERMISSION OF BENDPAK INC. IS PROHIBITED.

PART SPECIFICATION FORM

ACP

BENDPAK Number:	5570129
MRP Description:	1/4" HYDRAULIC HOSE 31 CL-0400X
Date:	05/24/2018
ECO :	00950

1. Engineering Specification

Application:

1/4" HYDRAULIC HOSE

Detailed Description:

ONE or TWO BRAID STEEL WIRE HYDRAULIC HOSE

SIZE: 1/4" / 6mm I.D. MIN
 0.53" / 13.4mm O.D. MAX

SPECS: 5700PSI OR 393 BAR WORKING PRESSURE MINIMUM
 17100PSI OR 1179 BAR MINIMUM BURST PRESSURE MINIMUM
 3" / 80mm MIN BEND RADIUS

COLOR: BLACK



ADDITIONAL CONTACT INFORMATION:

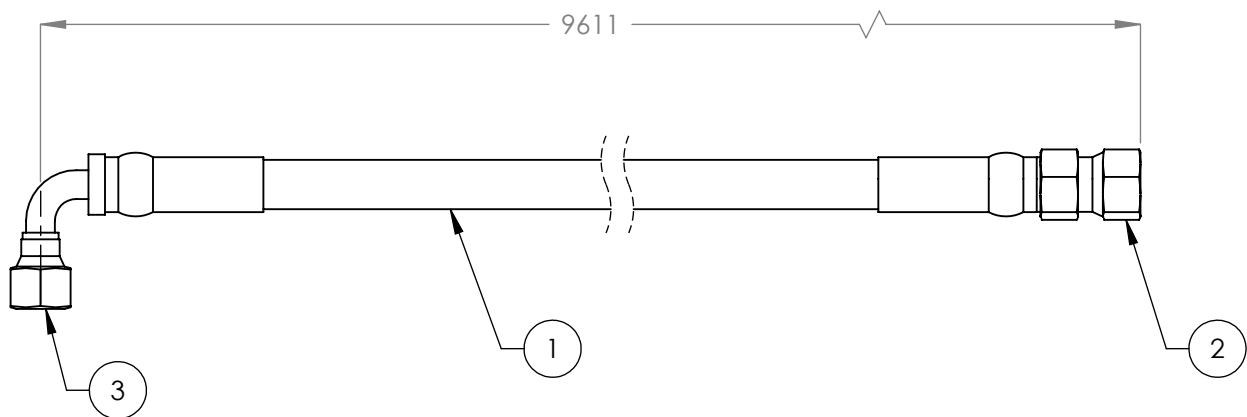
Xin Yurong
 Shandong Ningjin High Energy Hose Co., Ltd.
 Tel: +86 534-5421821
 No. 7, Taishan Rd., Industrial Park, Ningjin County, Shandong, China

2. Vendor Information (Or for Reference)

Approved Vendor	Vendor Part #	Contact #	AUTHORIZED COMPONENT PROVIDER
1) Ningjin Hydraulic Hose Co.	5570129	+86 534-5421821	X
2)			

OR BENDPAK ENGINEERING APPROVED EQUIVALENT

REVISION				
REV	DESCRIPTION	DATE	EDITED BY	ECO#
C	UPDATED TITLE TO REFLECT WHERE USED	02/15/2012	TM	00490
C-001	UPDATED NEXT ASSEMBLIES	07/02/2013	TM	00605
D	REPLACED 5570110 WITH 5570129	12/01/2014	TM	00673
D-001	UPDATED NEXT ASSEMBLIES	12/16/2015	TM	00738
E	UPDATED TITLE TO REFLECT STANDARD	03/09/2020	TM	01107



WHERE USED
D2-12C
D2-15C
XPR-12CL
XPR-12CL-LTA
XPR-15CL
XPR-18CL

NOTE: UNLESS OTHERWISE SPECIFIED.

- FOR ITEM 1 SPECIFICATIONS REFER TO PART SPECIFICATION FORM
- (*)ITEM 1 QTY FOR REFERENCE ONLY

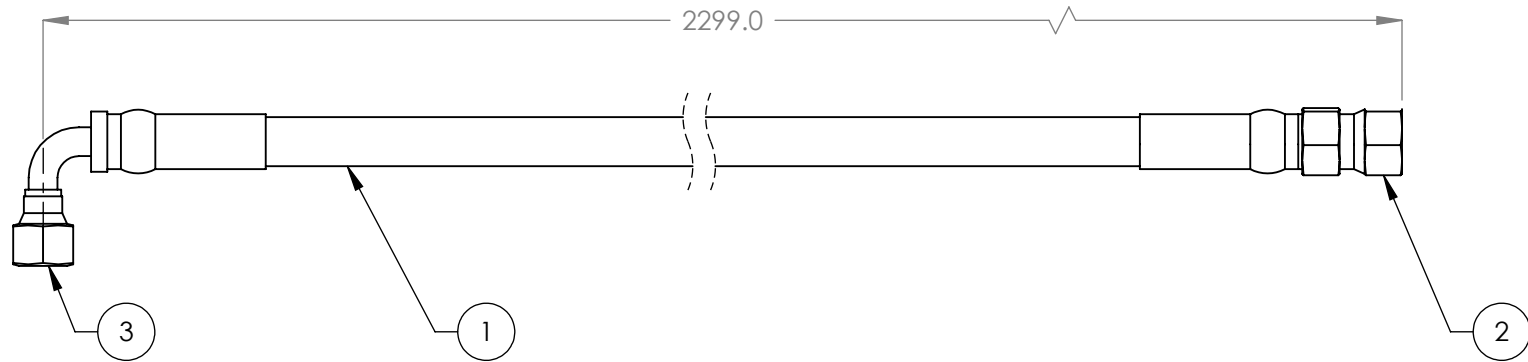
NEXT ASSEMBLY
5250254
5250266
5250268
5250314
5250315

ITEM NO	PART NUMBER	DESCRIPTION	QTY	REV
1	5570129	Ø6.4 ID HYDRAULIC HOSE	9551mm*	--
2	5550325	FTG NPL Ø1/4 CRIMP x -04 JIC	1	--
3	5550345	FTG ELB Ø1/4 CRIMP x -04 JIC	1	--

DO NOT SCALE DRAWING	NAME	DATE	 1645 LEMONWOOD DR. SANTA PAULA, CA 93060
	DRAWN	GJ 10/20/2008	
	CHECKED	OR 4/17/2020	
DIMENSIONS ARE IN MM TOLERANCES: 0. = ±1.5 0.0 = ±1.0 0.00 = ±0.25 0.000 = ±0.13		THIRD ANGLE PROJECTION 	
SURFACE FINISH 1.6 ISO Ra µm FOR MACHINED SURFACES UNLESS OTHERWISE SPECIFIED		TITLE: HYDRAULIC HOSE ASSEMBLY Ø6.35 x 9611mm SB	
		SIZE DWG. NO.	REV
		A 5570150	E
SCALE: 1:2			SHEET 1 OF 1

PROPRIETARY AND CONFIDENTIAL
 THE INFORMATION CONTAINED IN THIS DRAWING IS
 THE SOLE PROPERTY OF BENDPAK INC. ANY
 REPRODUCTION IN PART OR AS A WHOLE WITHOUT
 THE WRITTEN PERMISSION OF BENDPAK INC. IS
 PROHIBITED.

REVISION				
REV	DESCRIPTION	DATE	EDITED BY	ECO#
D	UPDATED TITLE TO REFLECT WHERE USED, UPDATED NEXT ASSEMBLIES UPDATED NEXT ASSEMBLIES	06/27/2017	TM	00605
D-001		10/16/2014	TM	00663
E	REPLACED 5570110 WITH 5570129 TO REFLECT INVENTORY	11/20/2014	TM	00673
E-001	UPDATED NEXT ASSEMBLIES	11/24/2015	TM	00738
E-002	UPDATED NEXT ASSEMBLIES	06/25/2018	TM	00964
F	UPDATED TITLE TO REFLECT STANDARDS, UPDATED NEXT ASSEMBLY	01/15/2020	TM	01107



WHERE USED
10AP
10AP-168
D2-10 SERIES
D2-12/15C
XPR CLEARFLOOR SERIES

NOTE: UNLESS OTHERWISE SPECIFIED.

- FOR ITEM 1 SPECIFICATIONS REFER TO PART SPECIFICATION FORM
- ITEM 1 QTY FOR REFERENCE ONLY

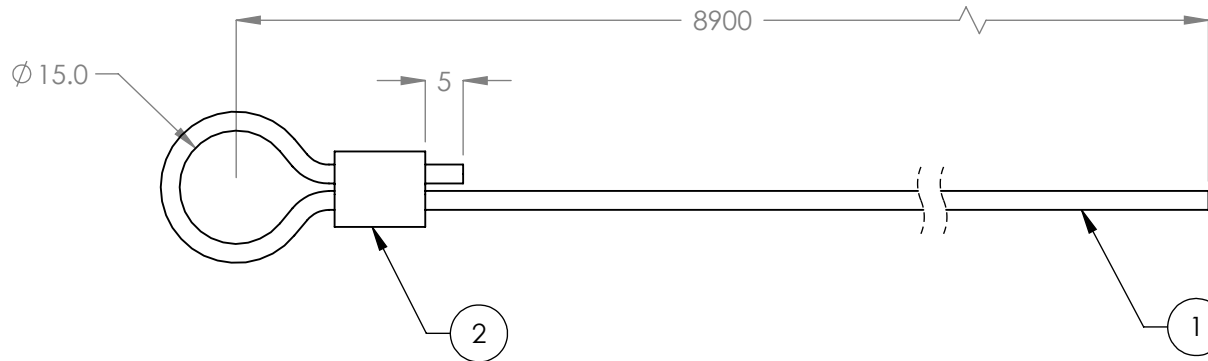
NEXT ASSEMBLY	
5250084	5250314
5250087	5250315
5250088	
5250089	
5250254	
5250264	
5250266	
5250267	
5250268	
5250269	
5250296	
5250297	
5250298	
5250299	

ITEM NO	PART NUMBER	DESCRIPTION	QTY	REV
1	5570129	Ø6.4 ID HYDRAULIC HOSE	2249mm*	--
2	5550325	FTG NPL Ø1/4 CRIMP x -04 JIC	1	--
3	5550345	FTG ELB Ø1/4 CRIMP x -04 JIC	1	--

DO NOT SCALE DRAWING		NAME	DATE	<p>1645 LEMONWOOD DR. SANTA PAULA, CA 93060</p>
DIMENSIONS ARE IN MM TOLERANCES: 0. = ±1.5 0.0 = ±0.5 SURFACE FINISH 1.6 ISO Ra µm FOR MACHINED SURFACES UNLESS OTHERWISE SPECIFIED		DRAWN	GJ 10/13/2008	
		CHECKED	OR 04/17/2020	
		THIRD ANGLE PROJECTION		TITLE:
				HYDRAULIC HOSE ASSEMBLY Ø6.35 x 2299mm SB
				SIZE DWG. NO. REV
				A 5570832 F
				SCALE: 1:2 SHEET 1 OF 1

PROPRIETARY AND CONFIDENTIAL
 THE INFORMATION CONTAINED IN THIS DRAWING IS
 THE SOLE PROPERTY OF BENDPAK INC. ANY
 REPRODUCTION IN PART OR AS A WHOLE WITHOUT
 THE WRITTEN PERMISSION OF BENDPAK INC. IS
 PROHIBITED.

REVISION				
REV	DESCRIPTION	DATE	EDITED BY	ECO#
A	PRODUCTION RELEASE, DERIVED FROM 800279	08/24/2009	TM	00293
B B-001 B-002	UPDATED TITLE TO REFLECT WHERE USED UPDATED NEXT ASSEMBLIES UPDATED NEXT ASSEMBLIES	02/15/2012 07/02/2013 12/15/2015	TM TM TM	00490 00605 00738
C	UPDATED TITLE TO REFLECT STANDARD, UPDATED NEXT ASSEMBLY	03/09/2020	TM	01107



WHERE USED
D2-12C
D2-15C
XPR-12CL SERIES
XPR-15CL SERIES
XPR-18CL SERIES

NOTE: UNLESS OTHERWISE SPECIFIED.

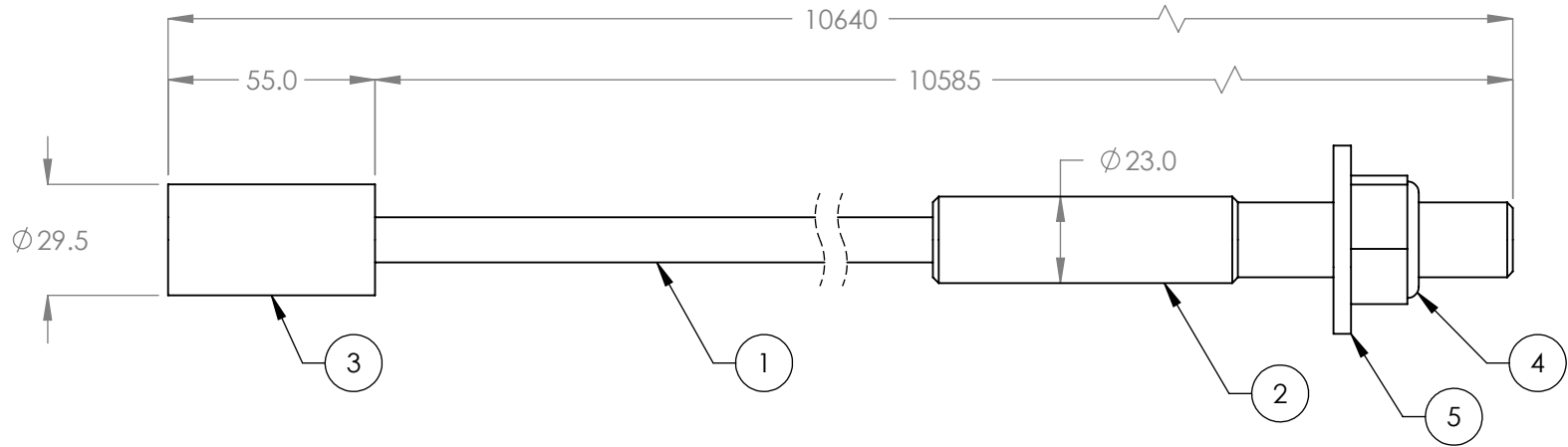
- FOR ITEM 1 SPECIFICATIONS REFER TO PART SPECIFICATION FORM
- ASSEMBLE ITEMS AS SHOWN
- ITEM 1 QTY FOR REFERENCE ONLY

NEXT ASSEMBLY
5250254
5250266
5250268
5250314
5250315

ITEM NO	PART NUMBER	DESCRIPTION	QTY	REV
1	5595682	CABLE SAFETY Ø2.4mm	8940mm*	--
2	5580210	Ø2.4mm OVAL CABLE CRIMP	1	--

DO NOT SCALE DRAWING	NAME	DATE	 1645 LEMONWOOD DR. SANTA PAULA, CA 93060
DIMENSIONS ARE IN MM TOLERANCES: 0. = ±1.5 0.0 = ±0.5	DRAWN	TM 08/24/2009	
	CHECKED	OR 4/17/2020	
THIRD ANGLE PROJECTION		TITLE: Ø2.4mm x 8900 SAFETY CABLE	
SURFACE FINISH 1.6 ISO Ra µm FOR MACHINED SURFACES UNLESS OTHERWISE SPECIFIED		SIZE DWG. NO. A 5595125	
PROPRIETARY AND CONFIDENTIAL THE INFORMATION CONTAINED IN THIS DRAWING IS THE SOLE PROPERTY OF BENDPAK INC. ANY REPRODUCTION IN PART OR AS A WHOLE WITHOUT THE WRITTEN PERMISSION OF BENDPAK INC. IS PROHIBITED.		REV C	
SCALE: 1:1			SHEET 1 OF 1

REVISION				
REV	DESCRIPTION	DATE	EDITED BY	ECO#
B	UPDATED BOM REVISION	11/03/2017	TM	00900
C	UPDATED TITLE TO REFLECT WHERE USED	03/27/2019	TS	01066
D	UPDATED TITLE TO REFLECT STANDARD, ADDED 5535011 AND 5545345	03/09/2020	TM	01107



WHERE USED
D2-12C
D2-15C
XPR-12CL
XPR-12CL-LTA
XPR-15CL
XPR-18CL

NOTE: UNLESS OTHERWISE SPECIFIED.

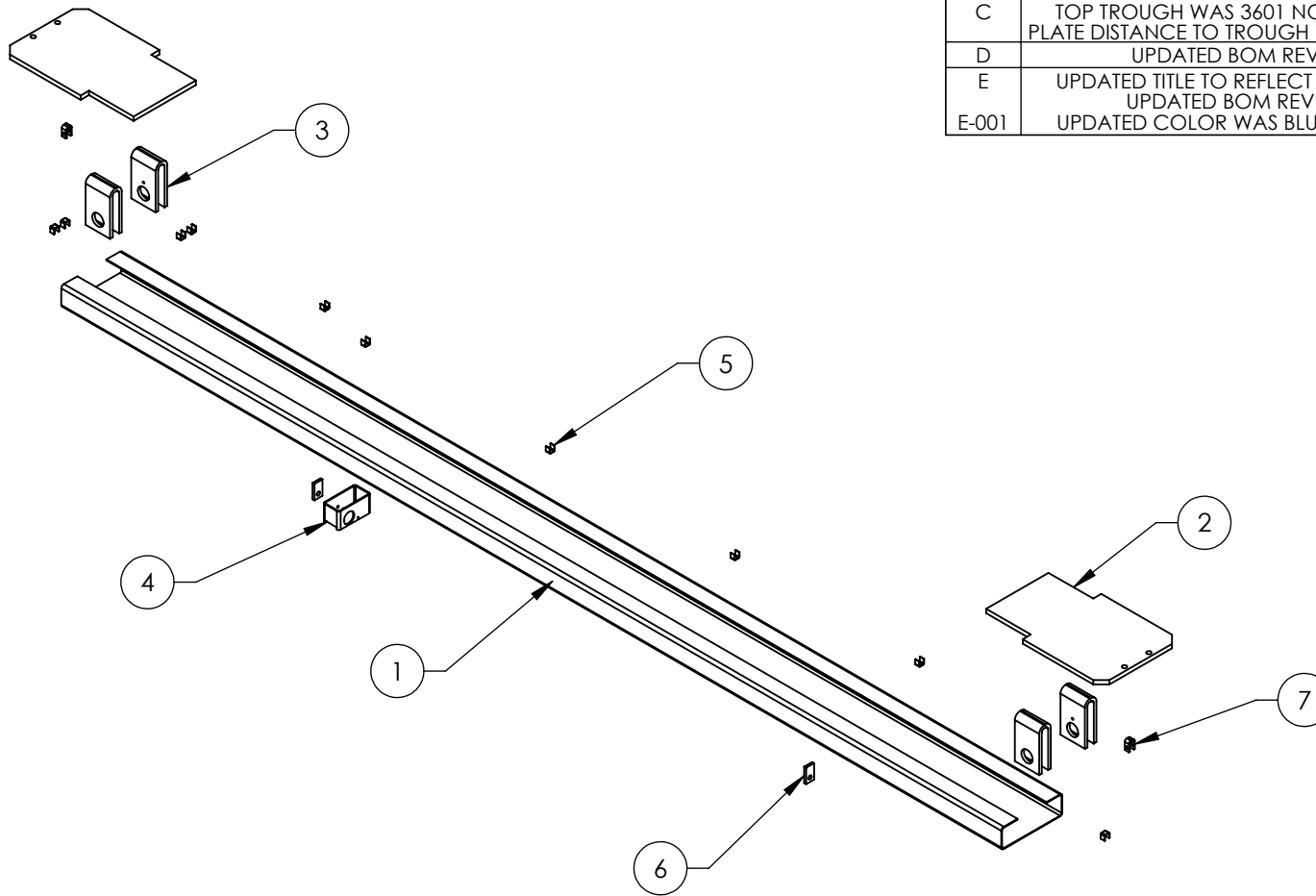
- FOR ITEM 1 SPECIFICATIONS REFER TO PART SPECIFICATION FORM
- LENGTH SHOWN IS AFTER SWAGING
- ITEM 1 QTY FOR REFERENCE ONLY
- THREAD 5535011 WITH 5545345 ONTO CABLE FOR SHIPMENT

ITEM NO.	PART NUMBER	DESCRIPTION	QTY.	REV
1	5595001	CABLE, LIFTING Ø12	10558mm*	-
2	5746020	Ø12 THREADED CABLE CONNECTOR	1	D
3	5746019	Ø12 CABLE END CONNECTOR	1	F
4	5535011	NUT M22 x 2.5 NL	1	-
5	5545345	WASHER M22 x 50mm FLAT	1	-

NEXT ASSEMBLY
5240868
5250254
5250266
5250268
5250314
5250315

DO NOT SCALE DRAWING	NAME	DATE	<p>1645 LEMONWOOD DR. SANTA PAULA, CA 93060</p>
	DRAWN	TM 01/05/2010	
	CHECKED	OR 4/17/2020	
DIMENSIONS ARE IN MM TOLERANCES: 0. = ±1.5 0.0 = ±0.5		THIRD ANGLE PROJECTION	
SURFACE FINISH 1.6 ISO Ra µm FOR MACHINED SURFACES UNLESS OTHERWISE SPECIFIED			
<p>PROPRIETARY AND CONFIDENTIAL THE INFORMATION CONTAINED IN THIS DRAWING IS THE SOLE PROPERTY OF BENDPAK INC. ANY REPRODUCTION IN PART OR AS A WHOLE WITHOUT THE WRITTEN PERMISSION OF BENDPAK INC. IS PROHIBITED.</p>			<p>TITLE: CABLE ASSEMBLY Ø12 x 10640mm ST</p>
SCALE: 1:2		SIZE DWG. NO. A 5595922	REV D
			SHEET 1 OF 1

REVISION				
REV	DESCRIPTION	DATE	EDITED BY	ECO#
C	INCREASE OVERALL LENGTH OF XPR-12/15/18 TOP TROUGH WAS 3601 NOW 3605, END PLATE DISTANCE TO TROUGH WAS 47 NOW 45	07/13/2010	TM	00380
D	UPDATED BOM REVISION	05/25/2011	TM	00463
E	UPDATED TITLE TO REFLECT WHERE USED, UPDATED BOM REVISIONS	01/31/2012	TM	00490
E-001	UPDATED COLOR WAS BLUE NOW GREY	06/08/2018	TS	00956



ITEM NO	PART NUMBER	DESCRIPTION	QTY	REV
1	5701040	D2/XPR-12/15/18C TOP TROUGH CHANNEL	1	C
2	5736651	D2/XPR-12/15/18C TOP TROUGH END PLATE	2	B
3	5701218	D2/XPR-12C/12FD/15/18C SHEAVE BRACKET	4	A
4	5766145	10AP, D2, GP-7, XPR MICROSWITCH BOX	1	D
5	5700699	SMALL HOSE RETAINER	10	A
6	5736550	2 POST MICROWITCH STOP BAR HINGE PLATE	2	C
7	5210004	D2/GP/PCL/XPR SAFETY SHEAVE CLAMP	2	C

DO NOT SCALE DRAWING		NAME	DATE	 1645 LEMONWOOD DR. SANTA PAULA, CA 93060
DIMENSIONS ARE IN MM TOLERANCES: 0. = ±1.5 0.0 = ±0.5		DRAWN	TM 11/09/2009	
ANGULAR: 0. = ±2°		CHECKED	CA 07/27/2018	
SURFACE FINISH 1.6 ISO Ra μm FOR MACHINED SURFACES UNLESS OTHERWISE SPECIFIED		THIRD ANGLE PROJECTION		TITLE:
				XPR-12/15/18C TOP TROUGH WELDMENT
				SIZE DWG. NO.
				A 5600380
				REV
				E
				SCALE: 1:16
				SHEET 1 OF 3

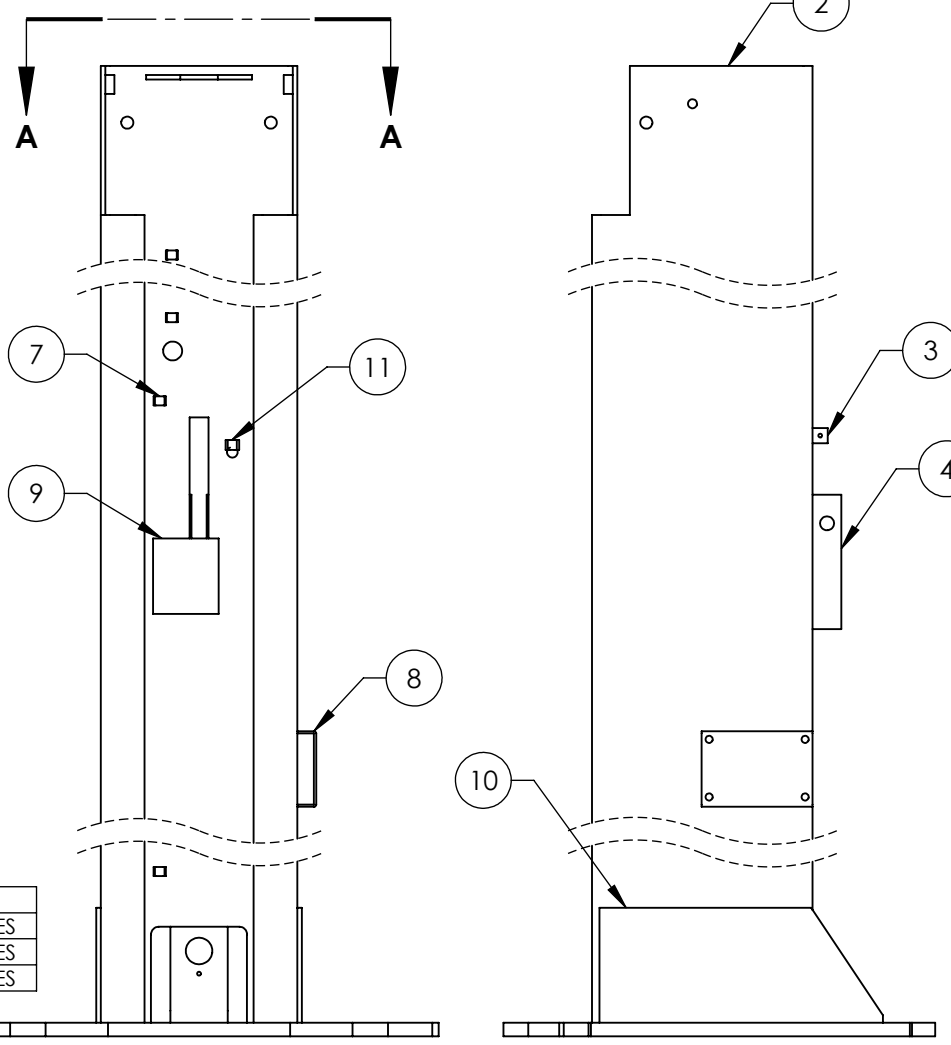
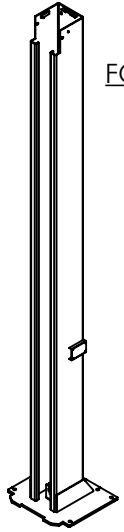
NOTE: UNLESS OTHERWISE SPECIFIED.

1. BREAK AND DEBURR ALL SHARP EDGES 0.3mm
2. REMOVE ALL WELD SPLATTER
3. DIMENSIONS SHOWN ARE AFTER PAINTING
4. PAINT BENDPAK GREY (RAL-7024)

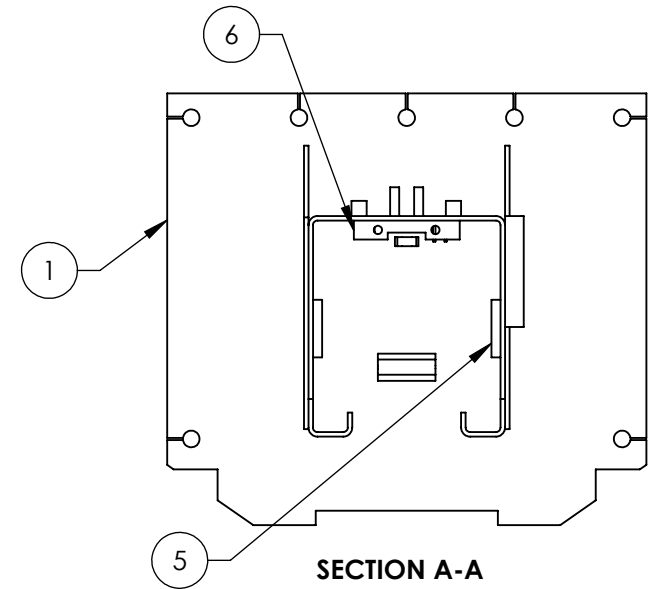
NEXT ASSEMBLY
5210031

PROPRIETARY AND CONFIDENTIAL
THE INFORMATION CONTAINED IN THIS DRAWING IS
THE SOLE PROPERTY OF BENDPAK INC. ANY
REPRODUCTION IN PART OR AS A WHOLE WITHOUT
THE WRITTEN PERMISSION OF BENDPAK INC. IS
PROHIBITED.

ISOMETRIC VIEW
FOR REFERENCE ONLY
DO NOT SCALE



REVISION				
REV	DESCRIPTION	DATE	EDITED BY	ECO#
K	UPDATED BOM REVISION	05/15/2019	TS	01086
L	REMOVED 5730075, ADDED CRITICAL DIMENSIONS AND GLOSS NOTE TO PAINT, UPDATED BOM REVISION	03/09/2020	TM	01107
M	UPDATED BOM REVISION	12/22/2020	TM	01251



WHERE USED
XPR-12CL SERIES
XPR-15CL SERIES
XPR-18CL SERIES

ITEM NO	PART NUMBER	DESCRIPTION	QTY	REV
1	5620358	D2, XPR-12C/15/18C BASE PLATE WELDMENT	1	C
2	5701237	D2/XPR-12C/15/18C POWER SIDE BARE POST	1	E
3	5760001	SAFETY COVER BLOCK	2	C
4	5736635	2 POST SAFETY RELEASE PLATE	2	D
5	5735700	10AP, D2, XPR TOP TROUGH SUPPORT	2	D
6	5701457	D2, XPR TOP TROUGH TIE PLATE	1	D
7	5700699	SMALL HOSE RETAINER	13	A
8	5700001	MOUNTING BRACKET	1	B
9	5735228	D2/XPR STIFFENING PLATE	1	B
10	5730270	D2/XPR-12/15/18 POST GUSSET	2	B
11	5210004	D2/GP/PCL/XPR SAFETY SHEAVE CLAMP	1	C

NOTE: UNLESS OTHERWISE SPECIFIED.

- REFER TO MODEL FOR ADDITIONAL INFORMATION
- BREAK AND DEBURR ALL SHARP EDGES 0.3mm
- REMOVE ALL WELD SPLATTER
- DIMENSIONS SHOWN ARE AFTER PAINTING
- PAINT GRAY (RAL-7024) 20% GLOSS

NEXT ASSEMBLY
5215218
5215293

DO NOT SCALE DRAWING

NAME	DATE
DRAWN TM	01/05/2010
CHECKED OR	12/31/2020

DIMENSIONS ARE IN MM
TOLERANCES:
0. = ±1.5
0.0 = ±0.5

SURFACE FINISH 1.6 ISO Ra μm
FOR MACHINED SURFACES
UNLESS OTHERWISE SPECIFIED

THIRD ANGLE PROJECTION

PROPRIETARY AND CONFIDENTIAL
THE INFORMATION CONTAINED IN THIS DRAWING IS THE SOLE PROPERTY OF BENDPAK INC. ANY REPRODUCTION IN PART OR AS A WHOLE WITHOUT THE WRITTEN PERMISSION OF BENDPAK INC. IS PROHIBITED.

BP BendPak.

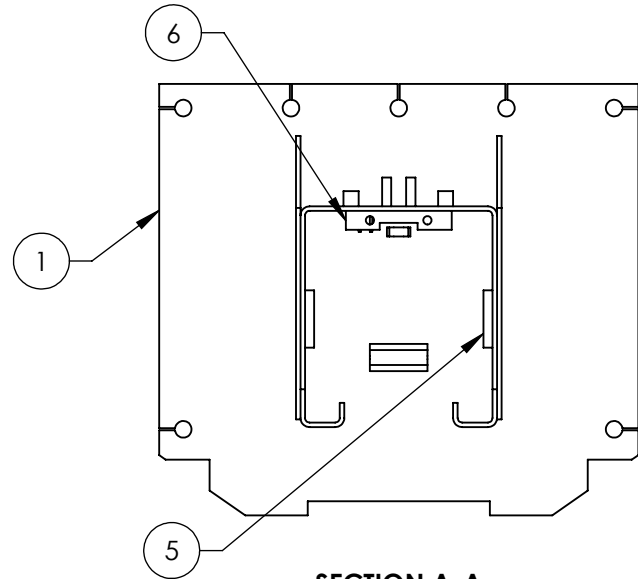
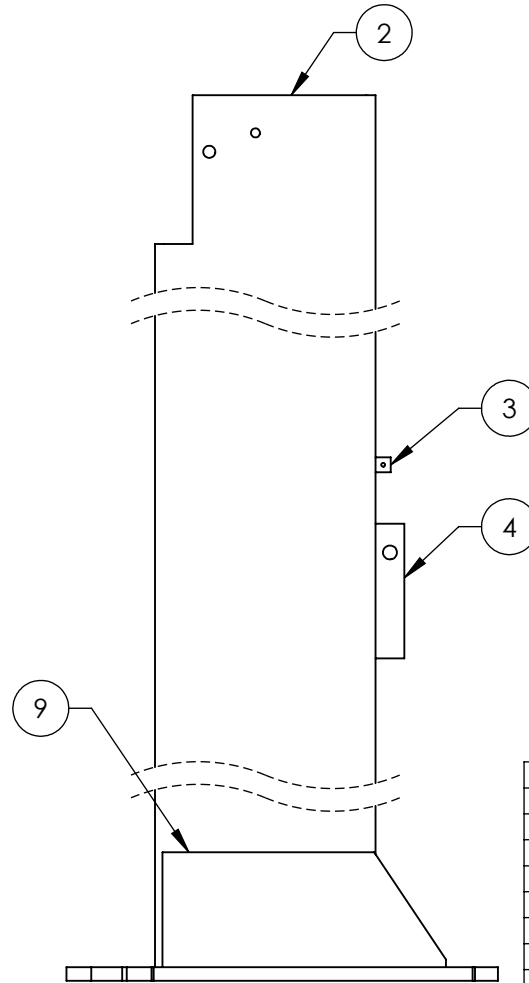
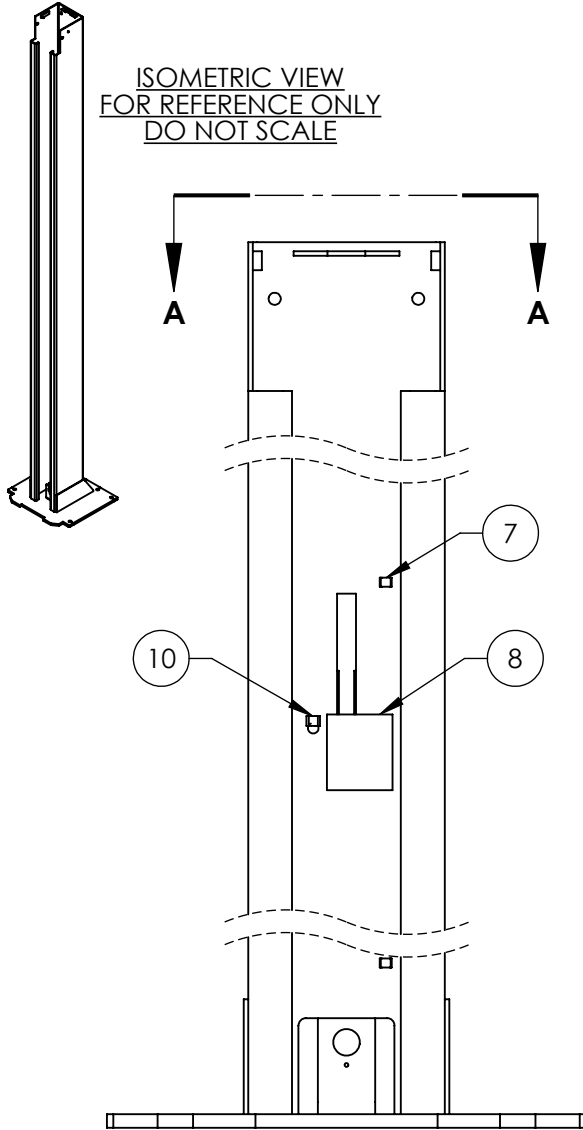
1645 LEMONWOOD DR.
SANTA PAULA, CA 93060

TITLE:
XPR-12/15/18CL POWER
SIDE POST WELDMENT

SIZE DWG. NO.	REV
A 5600399	M

SCALE: 1:10 SHEET 1 OF 3

ISOMETRIC VIEW
FOR REFERENCE ONLY
DO NOT SCALE



SECTION A-A

REVISION				
REV	DESCRIPTION	DATE	EDITED BY	ECO#
J	UPDATED BOM REVISION	05/15/2019	TS	01086
K	REMOVED 5730075, ADDED CRITICAL DIMENSIONS AND GLOSS NOTE TO PAINT, UPDATED BOM REVISION	03/09/2020	TM	01107
L	UPDATED BOM REVISION	12/22/2020	TM	01251

WHERE USED
XPR-12CL SERIES
XPR-15CL SERIES
XPR-18CL SERIES

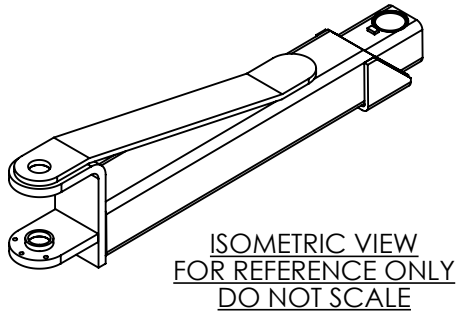
NOTE: UNLESS OTHERWISE SPECIFIED.

- REFER TO MODEL FOR ADDITIONAL INFORMATION
- BREAK AND DEBURR ALL SHARP EDGES 0.3mm
- REMOVE ALL WELD SPLATTER
- DIMENSIONS SHOWN ARE AFTER PAINTING
- PAINT GRAY (RAL-7024) 20% GLOSS

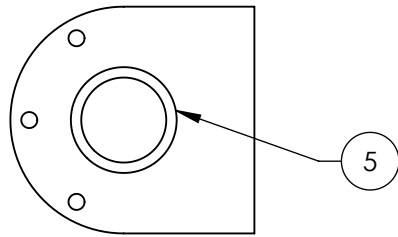
ITEM NO	PART NUMBER	DESCRIPTION	QTY	REV
1	5620358	D2, XPR-12C/15/18C BASE PLATE WELDMENT	1	C
2	5701238	D2, XPR-12C/15/18C OFF SIDE BARE POST	1	C
3	5760001	SAFETY COVER BLOCK	2	C
4	5736635	2 POST SAFETY RELEASE PLATE	2	D
5	5735700	10AP, D2, XPR TOP TROUGH SUPPORT	2	D
6	5701457	D2, XPR TOP TROUGH TIE PLATE	1	D
7	5700699	SMALL HOSE RETAINER	8	A
8	5735228	D2/XPR STIFFENING PLATE	1	B
9	5730270	D2/XPR-12/15/18 POST GUSSET	2	B
10	5210004	D2/GP/PCL/XPR SAFETY SHEAVE CLAMP	1	C

NEXT ASSEMBLY
5215216
5215292

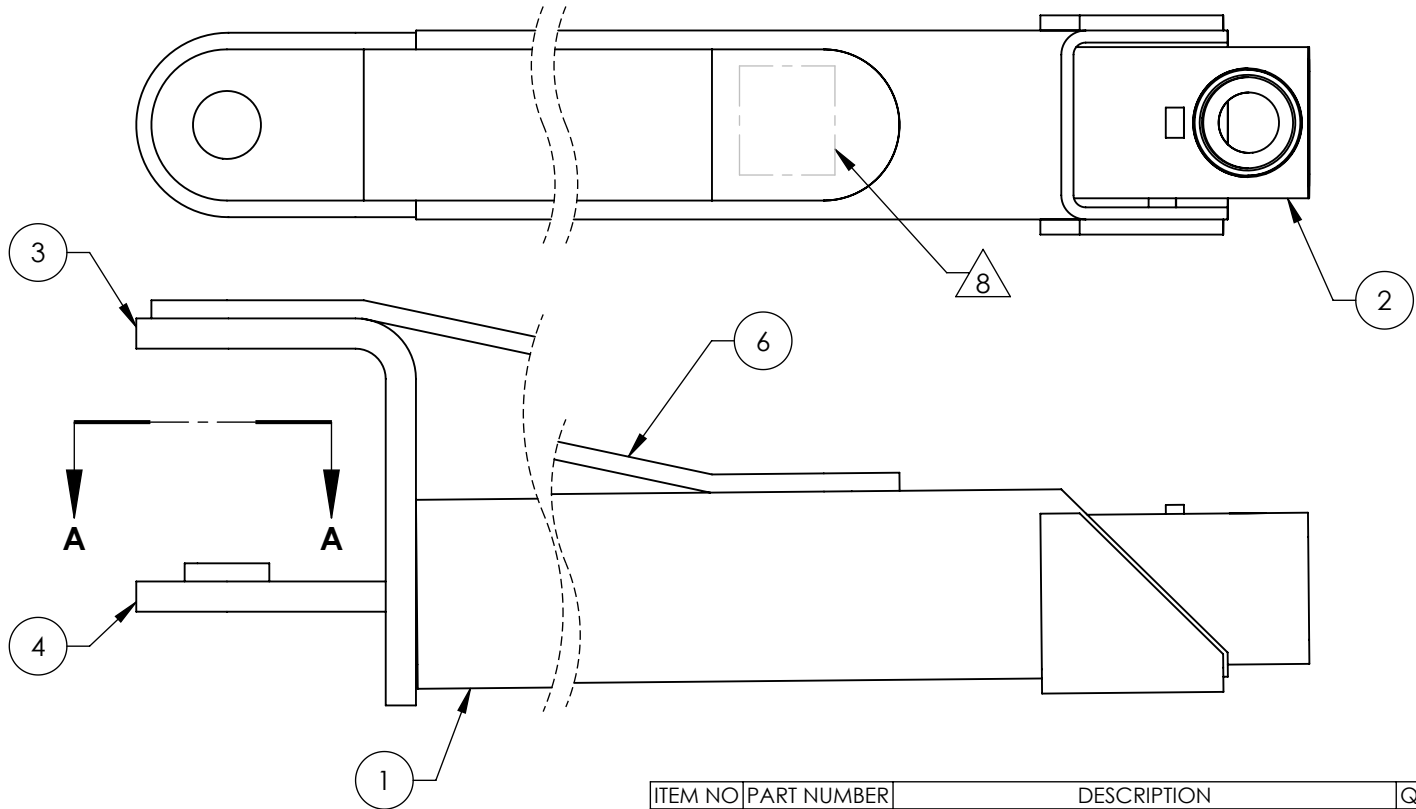
DO NOT SCALE DRAWING	NAME	DATE	<p>1645 LEMONWOOD DR. SANTA PAULA, CA 93060</p>
	DRAWN	TM 01/05/2010	
	CHECKED	OR 12/31/2020	
DIMENSIONS ARE IN MM TOLERANCES: 0. = ±1.5 0.0 = ±0.5			TITLE: XPR-12/15/18CL OFF SIDE POST WELDMENT
SURFACE FINISH 1.6 ISO R _a μm FOR MACHINED SURFACES UNLESS OTHERWISE SPECIFIED			
THIRD ANGLE PROJECTION			SIZE DWG. NO.
			A 5600404
PROPRIETARY AND CONFIDENTIAL THE INFORMATION CONTAINED IN THIS DRAWING IS THE SOLE PROPERTY OF BENDPAK INC. ANY REPRODUCTION IN PART OR AS A WHOLE WITHOUT THE WRITTEN PERMISSION OF BENDPAK INC. IS PROHIBITED.			REV L
SCALE: 1:10			SHEET 1 OF 3



REVISION				
REV	DESCRIPTION	DATE	EDITED BY	ECO#
G	UPDATED BOM REVISION	05/29/2018	TM	00953
H	UPDATED BOM REVISIONS	03/27/2019	TS	01066
J	5620360 DISTANCE WAS 8 NOW 11, WAS 16 NOW 19, WAS 124 NOW 128, UPDATED BOM REVISION	08/23/2019	TM	01123
J-001	ADDED GLOSS NOTE TO PAINT AND MANUFACTURER STAMP	02/07/2020	TM	01107



SECTION A-A
SCALE 1 : 4



WHERE USED
XPR-15CL
XPR-15CL-192
XPR-18CL
XPR-18CL-192

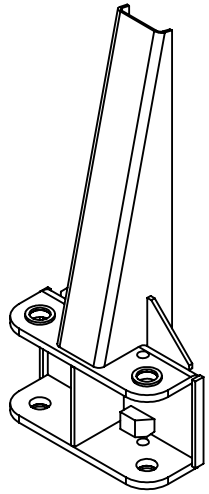
NOTE: UNLESS OTHERWISE SPECIFIED.

1. REFER TO MODEL FOR ADDITIONAL INFORMATION
 2. BREAK AND DEBURR ALL SHARP EDGES 0.3mm
 3. REMOVE ALL WELD SPLATTER
 4. MASK ALL BORES BEFORE PAINTING
 5. DIMENSIONS SHOWN ARE AFTER PAINTING
 6. PAINT BENDPAK YELLOW (RAL-1018) 20% GLOSS
 7. 5620309 MUST SLIDE FREELY
8. 10mm LETTER HEIGHT, 3mm ∇ MARK IN APPROXIMATE LOCATION WITH THE FOLLOWING :
MANUFACTURER CODE

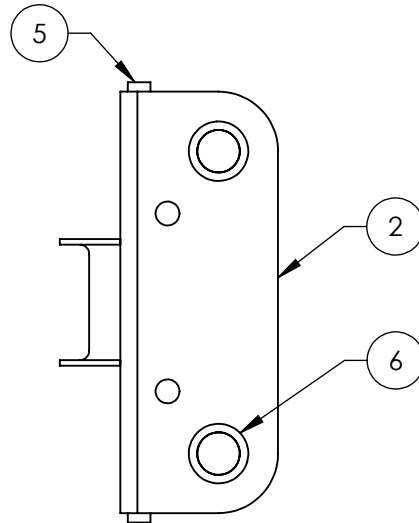
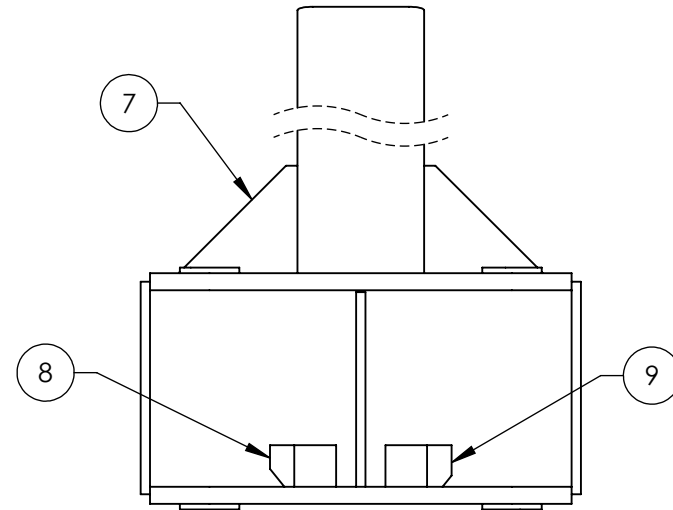
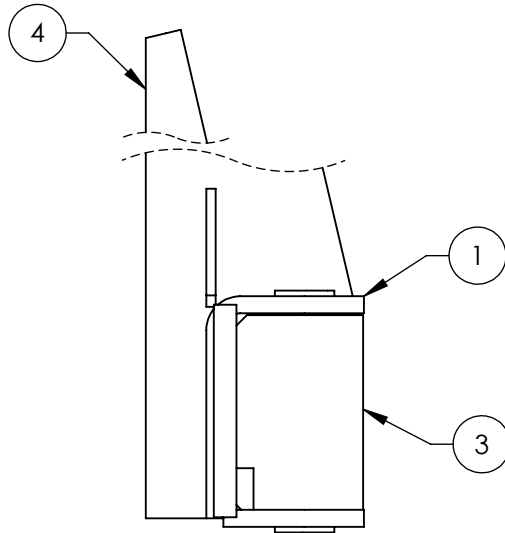
ITEM NO	PART NUMBER	DESCRIPTION	QTY	REV
1	5620360	XPR-15/18C OUTER TUBE WELDMENT (847mm)	1	G
2	5620309	XPR-15/18 INNER ARM WELDMENT (860mm)	1	D
3	5701232	XPR-15/18C ARM EAR	1	C
4	5701069	XPR-12-LTA/15/18C BOLT ON ARM EAR	1	D
5	5746568	XPR-12-LTA/15/18C ARM BEARING RING	1	D
6	5736281	XPR-15/18C ARM SUPPORT	1	E

DO NOT SCALE DRAWING	NAME	DATE	
	DRAWN JM	06/24/2015	
	CHECKED OR	04/08/2020	1645 LEMONWOOD DR. SANTA PAULA, CA 93060
DIMENSIONS ARE IN MM TOLERANCES: 0. = ±1.5 0.0 = ±0.5	THIRD ANGLE PROJECTION		TITLE: XPR-15/18CL ARM WELDMENT
SURFACE FINISH 1.6 ISO Ra μm FOR MACHINED SURFACES UNLESS OTHERWISE SPECIFIED			SIZE DWG. NO. REV A 5600986 J
NEXT ASSEMBLY 5215273	<small>PROPRIETARY AND CONFIDENTIAL THE INFORMATION CONTAINED IN THIS DRAWING IS THE SOLE PROPERTY OF BENDPAK INC. ANY REPRODUCTION IN PART OR AS A WHOLE WITHOUT THE WRITTEN PERMISSION OF BENDPAK INC. IS PROHIBITED.</small>		SCALE: 1:5 SHEET 1 OF 3

REVISION				
REV	DESCRIPTION	DATE	EDITED BY	ECO#
D	WAS 18 2PL NOW 18.5 2PL	08/30/2013	TM	00615
E	UPDATED BOM REVISIONS	02/14/2014	TM	00640
F	UPDATED BOM REVISIONS	04/25/2014	TS	00649



ISOMETRIC VIEW
FOR REFERENCE ONLY
DO NOT SCALE



ITEM NO	PART NUMBER	DESCRIPTION	QTY	REV
1	5701231	XPR-15/18C LIFT HEAD ARM PLATE	1	C
2	5736282	XPR-15/18C LIFT HEAD BOTTOM ARM PLATE	1	C
3	5735244	XPR-12C/FD/15/18C LIFT HEAD PLATE SPACER	1	A
4	5700188	XPR-12C/15/18C LIFT HEAD GUSSET	1	A
5	5730104	XPR-12C/FD/15/18C LIFT HEAD PLATE SUPPORT	2	A
6	5746569	XPR-15/18 BEARING RING	4	B
7	5736259	10AP/GP/XPR LIFT HEAD SIDE GUSSET	2	B
8	5736544	2 POST HEAVY DUTY ARM GEAR RESTRAINT STOP LH	1	A
9	5736546	2 POST HEAVY DUTY ARM GEAR RESTRAINT STOP RH	1	A

WHERE USED
D2-15C
XPR-15C SERIES

NOTE: UNLESS OTHERWISE SPECIFIED.

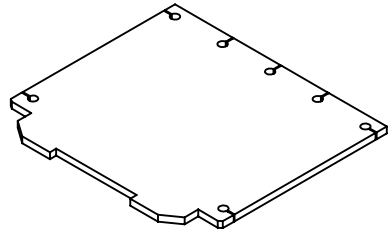
- REFER TO MODEL FOR ADDITIONAL INFORMATION
- BREAK AND DEBURR ALL SHARP EDGES 0.3mm
- REMOVE ALL WELD SPLATTER

NEXT ASSEMBLY
5600395
5601546

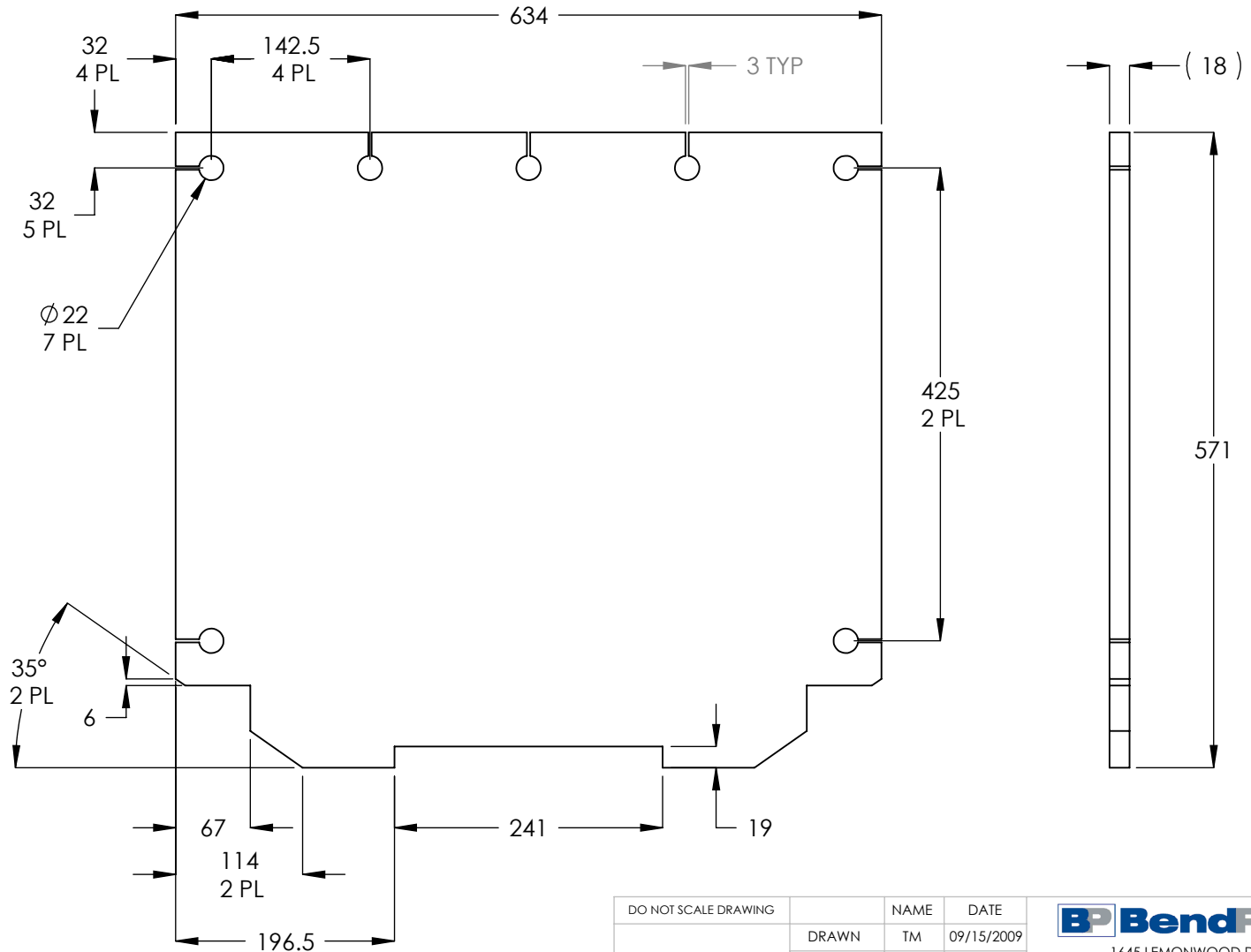
DO NOT SCALE DRAWING	NAME	DATE
	TM	11/30/2009
DIMENSIONS ARE IN MM TOLERANCES: 0. = ±1.5 0.0 = ±0.5	CHECKED	
SURFACE FINISH 1.6 ISO R _a μm FOR MACHINED SURFACES UNLESS OTHERWISE SPECIFIED	THIRD ANGLE PROJECTION	
	<small>PROPRIETARY AND CONFIDENTIAL THE INFORMATION CONTAINED IN THIS DRAWING IS THE SOLE PROPERTY OF BENDPAK INC. ANY REPRODUCTION IN PART OR AS A WHOLE WITHOUT THE WRITTEN PERMISSION OF BENDPAK INC. IS PROHIBITED.</small>	

BP BendPak.	
1645 LEMONWOOD DR. SANTA PAULA, CA 93060	
TITLE: D2/XPR-15/18C LIFT HEAD GUSSET WELDMENT	
SIZE DWG. NO.	REV
A 5620376	F
SCALE: 1:8	SHEET 1 OF 2

REVISION				
REV	DESCRIPTION	DATE	EDITED BY	ECO#
A	PRODUCTION RELEASE, DERIVED FROM 800725	09/16/2009	TM	00293
B	ADDED RECTANGULAR CUTS	03/21/2011	TM	00449



ISOMETRIC VIEW
FOR REFERENCE ONLY
DO NOT SCALE



- NOTE: UNLESS OTHERWISE SPECIFIED.**
- REFER TO MODEL FOR ADDITIONAL INFORMATION
 - BREAK AND DEBURR ALL SHARP EDGES 0.3mm
 - MATERIAL:** HR ASTM A36 OR Q235 GB/T 700

NEXT ASSEMBLY
5620358
5620372
5620373

DO NOT SCALE DRAWING

DIMENSIONS ARE IN MM
TOLERANCES: MACHINE TO
0 = ±1.5
0.0 = ±0.5
0.00 = ±0.13

SURFACE FINISH 1.6 Ra µm
FOR MACHINED SURFACES
UNLESS OTHERWISE SPECIFIED

NAME	DATE
DRAWN TM	09/15/2009
CHECKED MT	03/30/2011

THIRD ANGLE PROJECTION

PROPRIETARY AND CONFIDENTIAL
THE INFORMATION CONTAINED IN THIS DRAWING IS THE SOLE PROPERTY OF BENDPAK INC. ANY REPRODUCTION IN PART OR AS A WHOLE WITHOUT THE WRITTEN PERMISSION OF BENDPAK INC. IS PROHIBITED.

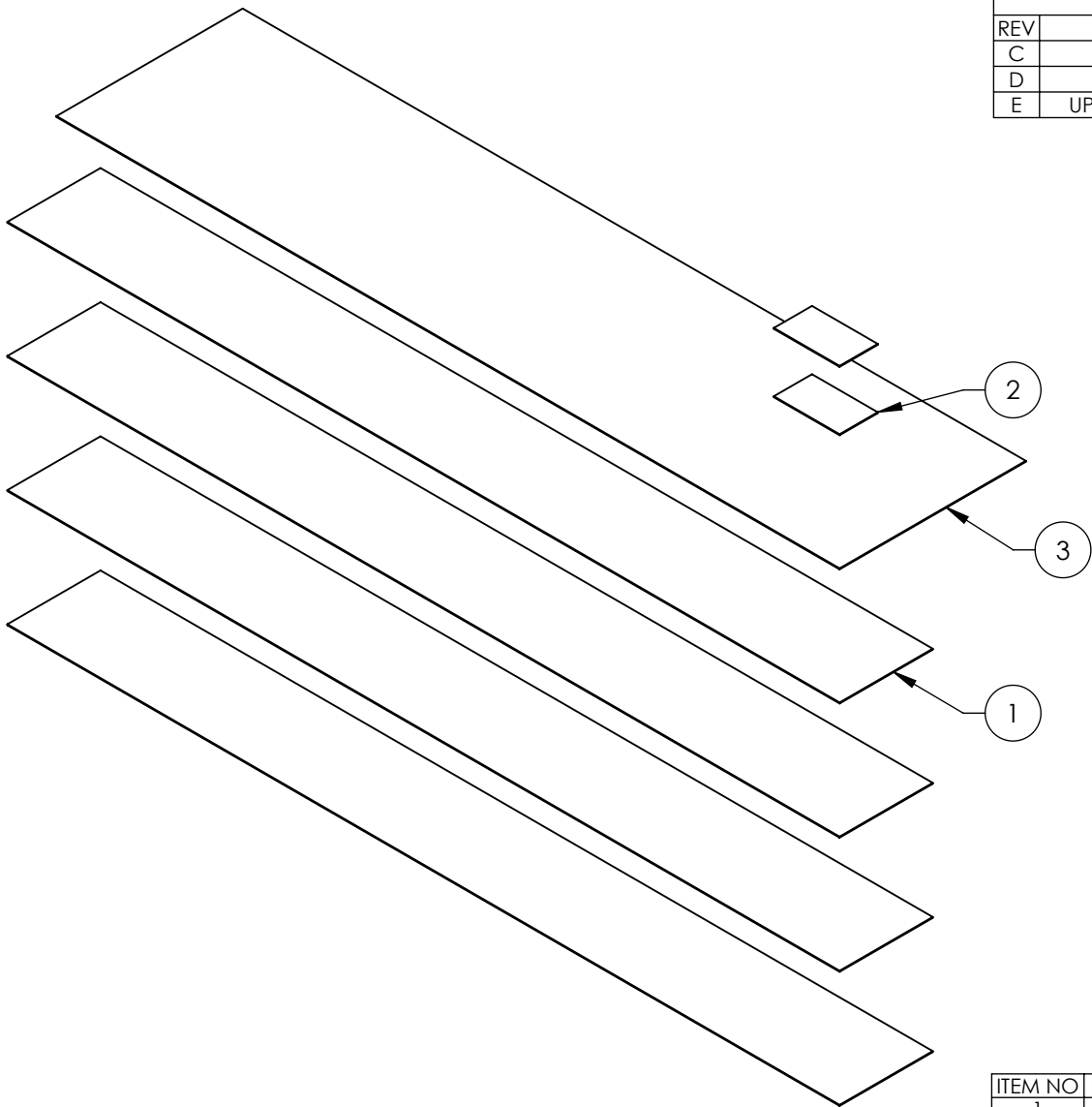
1645 LEMONWOOD DR.
SANTA PAULA, CA 93060

TITLE: XPR-12C/FD/15/18C
BASE PLATE

SIZE	DWG. NO.	REV
A	5736526	B

SCALE: 1:6 SHEET 1 OF 1

REVISION				
REV	DESCRIPTION	DATE	EDITED BY	ECO#
C	ADDED (2) 5905311	12/29/2015	TM	00738
D	ADDED (1) 5905177	07/02/2019	CA	01117
E	UPDATED DESCRIPTION AND SIZE OF LABEL	02/18/2020	TM	01107



ITEM NO	PART NUMBER	DESCRIPTION	QTY	REV
1	5905311	BENDPAK LABEL; 4 x 38" WHITE INK	4	--
2	5905177	TO PROLONG LIFE OF TWO	2	--
3	5905555	2 POST SAFETY LABEL, ENGLISH-FRENCH	1	--

DO NOT SCALE DRAWING		NAME	DATE	 1645 LEMONWOOD DR. SANTA PAULA, CA 93060
DRAWN		TM	06/18/2013	
CHECKED		OR	04/06/2020	
DIMENSIONS ARE IN MM		THIRD ANGLE PROJECTION		TITLE: 2 POST DECAL KIT, LESS ALI
				SIZE DWG. NO.
				A 5905131
PROPRIETARY AND CONFIDENTIAL THE INFORMATION CONTAINED IN THIS DRAWING IS THE SOLE PROPERTY OF BENDPAK INC. ANY REPRODUCTION IN PART OR AS A WHOLE WITHOUT THE WRITTEN PERMISSION OF BENDPAK INC. IS PROHIBITED.				REV E
SCALE: 1:5			SHEET 1 OF 1	

NOTE: UNLESS OTHERWISE SPECIFIED.

NEXT ASSEMBLY
XPR SERIES

PART SPECIFICATION FORM (STANDARD)

BENDPAK Number:	5900370
MRP Description:	XPR-12CL-18CL INSTALLATION MANUAL
Date:	02/01/2021
ECO :	---

1. Engineering Specification

Application:

INSTALLATION MANUAL

Detailed Description:

Print Settings for BendPak Manuals

Unless otherwise specified, use these settings for printing BendPak manuals:

- **Color.** Black and white.
- **Size.** A4 (210 to 297 mm), 8.5 by 11 inches (216 to 279 mm), or between
- **Binding.** Saddle stitched
- **Paper.** 100 to 120 gsm (27 to 32 pound), uncoated

WARNING

EUROPEAN USERS

400V 50Hz SUPPLY DETAILS ARE INCLUDED WITH ELECTRICAL CONTROL BOX. DISREGARD SUPPLY WIRING DETAILS IN THIS MANUAL.

IMPORTANT SAFETY INSTRUCTIONS
SAVE THESE INSTRUCTIONS


PLEASE READ THE ENTIRE CONTENTS OF THIS MANUAL PRIOR TO INSTALLATION AND OPERATION. BY PROCEEDING WITH LIFT INSTALLATION AND OPERATION YOU AGREE THAT YOU FULLY UNDERSTAND AND COMPREHEND THE FULL CONTENTS OF THIS MANUAL. FORWARD THIS MANUAL TO ALL OPERATORS. FAILURE TO OPERATE THIS EQUIPMENT AS DIRECTED MAY CAUSE INJURY OR DEATH.

Rev. D - February 2021
PIN 5900370

INSTALLATION AND OPERATION MANUAL

12,000/15,000/18,000 LB / 5,443/6,804/8,165 KG CAPACITY
TWO-POST LIFTS

MODELS:
XPR-12CL
XPR-12CL-192
XPR-12CL-LTA
XPR-12CL-LTA-192
XPR-15CL
XPR-15CL-192
XPR-18CL
XPR-18CL-192



CE

ORIGINAL INSTRUCTIONS IN ENGLISH LANGUAGE

RECEIVING
The shipment should be thoroughly inspected as soon as it is received. The signed Bill of Lading is acknowledgement by the shipping carrier as receipt of this product as listed in your invoice as being in a good condition of shipment. If any of these goods listed on this Bill of Lading are missing or damaged, do not accept goods until the shipping carrier makes a notation on the freight bill of the missing or damaged goods. Do this for your own protection.

READ FIRST

Do not operate this machine until you read and understand all the dangers, warnings and cautions in this manual.

BE SAFE
Your new lift was designed and built with safety in mind. However, your overall safety can be increased with proper training and thoughtful operation on the part of the operator. DO NOT operate or repair this equipment without reading this manual and the important safety instructions shown inside. Keep this operation manual near the lift at all times. Make sure that ALL USERS read and understand this manual.

Keep this operation manual near the machine at all times. Make sure that ALL USERS read this manual.

1645 Lemonwood Dr.
Santa Paula, CA, 93060, USA
Toll Free 1-800-253-2363
Tel: 1-805-933-9970
www.bendpak.com

2. Vendor Information (Or for Reference)

Approved Vendor	Vendor Part #	Contact #	Preferred Vendor
1)			

OR BENDPAK ENGINEERING APPROVED EQUIVALENT

805-933-9970
 805-933-9160
 info@bendpak.com
 1645 Lemonwood Dr. Santa Paula, CA 93060

www.bendpak.com

Ranger
 QUICKJACK™
 GRANDPRIX
 JACKPAK™
 AUTOSTACKER™
 COOL BOSS™

PART SPECIFICATION FORM

BENDPAK Number:	5905109
MRP Description:	WARNING ALI/WL 101C
Date:	08/03/2017
ECO :	00850

1. Engineering Specification

Application:

ALI 2 POST SAFETY STICKER KIT

Detailed Description:

SIZE: ALI 2 POST CAUTION LABELS: 14" L x 8.5" W (356mm x 216mm)

ALI NOTICE LABEL: 1.75" L x 3" W (4.5mm x 76mm)



Automotive Lift Institute, Inc
WL 101 Series
Label Kit



NOTICE

If attachments, configuration, or load capacity are not as specified on this lift, the lift should not be used. The lift, electrical, lifting, or safety standards, vehicle, or operator must be certified to use the lift. Contact the participant for information pertaining to certified attachments, accessories, or configuration loading capacities.

www.aali.org ©2011 by ALI, Inc. ALI/WL101KIT

2. Vendor Information

Approved Vendor	Vendor Part #	Contact #	Preferred Vendor
1) ALI	WL 101 a, b, & c / WL101I A01		

PART SPECIFICATION FORM STANDARD

BENDPAK Number:	5905951
MRP Description:	SERIAL TAG B
Date:	03/10/2020
ECO :	01107

1. Engineering Specification

Application:

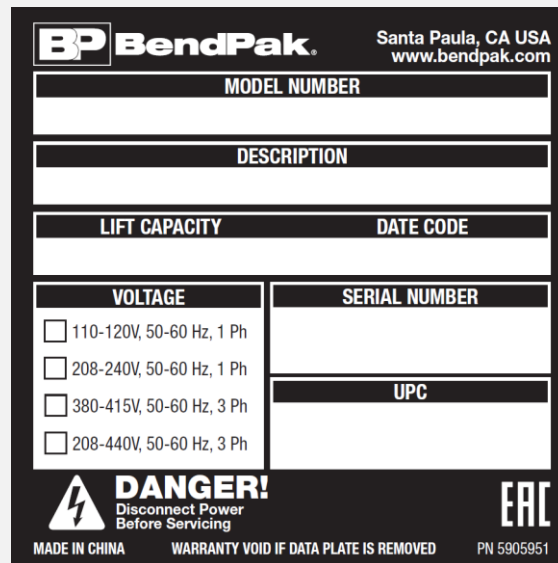
DATA SERIAL TAG NON-CE

Detailed Description:

SIZE: 3" L x 3" W (75mm x 75mm)

MATERIAL: 2 Mil. GLOSS POLYESTER THERMAL TRANSFER LABEL WITH A HIGH PERFORMANCE PERMANENT ACRYLIC ADHESIVE.

INK: 1 COLOR-BLACK



BP BendPak Santa Paula, CA USA
www.bendpak.com

MODEL NUMBER

DESCRIPTION

LIFT CAPACITY **DATE CODE**

VOLTAGE **SERIAL NUMBER**

110-120V, 50-60 Hz, 1 Ph
 208-240V, 50-60 Hz, 1 Ph
 380-415V, 50-60 Hz, 3 Ph
 208-440V, 50-60 Hz, 3 Ph

UPC

DANGER!
Disconnect Power Before Servicing

EAC

MADE IN CHINA WARRANTY VOID IF DATA PLATE IS REMOVED PN 5905951

2. Vendor Information (Or for Reference)

Approved Vendor	Vendor Part #	Contact #	Preferred Vendor
1)			
OR BENDPAK ENGINEERING APPROVED EQUIVALENT			

PART SPECIFICATION FORM STANDARD

BENDPAK Number:	5905177
MRP Description:	TO PROLONG LIFT OF TWO
Date:	01/26/20/21
ECO :	01267

1. Engineering Specification

Application:

RED CYLINDER WARNING

Detailed Description:

Size: 3" L x 1.75" W (76mm x 44mm)
 Material: White Vinyl Pressure Sensitive Adhesive
 Thickness: 4 Mil
 Ink: U.V. protected CMYK 2/C Process
 Finish: Matte Overlamine (No gloss)
 Print Process: Offset Lithography - 200 line-screen or 300 p.p.i. for digital
 Lamination: Clear laminate Non-glare medium matte over-lamine for abrasion, chemical, and ultra violet protection

PLEASE READ

Internal packing oil may cause the cylinders to bleed oil during start up. This is normal. To extend cylinder and seal life, raise the lift to full height at least once every day.

2. Vendor Information (Or for Reference)

Approved Vendor	Vendor Part #	Contact #	Preferred Vendor
1)			

OR BENDPAK ENGINEERING APPROVED EQUIVALENT

PART SPECIFICATION FORM STANDARD

BENDPAK Number:	5905311
MRP Description:	BENDPAK LABEL; 4 x 38" WHITE INK
Date:	01/04/2021
ECO :	01249

1. Engineering Specification

Application:

BRANDING LABEL

Detailed Description:

Size: 4.25" W x 38" H (107.95mm x 965.2mm)

Material: Clear Adhesive PET

Thickness: 4 Mil

Ink: U.V. protected, Opaque White

Finish: Matte Overlamine (No gloss)

Print Process: Silk Screen, 85 line-screen **(Yellow color in file represents what should be clear PET material and SHOULD NOT print as Yellow ink. White area in file represents Opaque White ink.)**

Lamination: Clear laminate non-glare medium matte over-lamine (No gloss) for abrasion, chemical, and ultra violet protection



2. Vendor Information (Or for Reference)

Approved Vendor	Vendor Part #	Contact #	Preferred Vendor
1)			

OR BENDPAK ENGINEERING APPROVED EQUIVALENT

PART SPECIFICATION FORM STANDARD

BENDPAK Number:	5905406
MRP Description:	MAX CAPACITY 18K DANGER LABEL, ENGLISH-FRENCH
Date:	01/04/2021
ECO :	01254

1. Engineering Specification

Application:

LIFT CAPACITY LABEL

Detailed Description:

Size: 4"W x 8.5"H (101.6mm x 215.9mm)

Material: White Vinyl Pressure Sensitive Adhesive

Thickness: 4 Mil

Ink: U.V. protected CMYK 2/C Process

Finish: Matte Overlamine (No gloss)

Print Process: Offset Lithography - 200 line-screen or 300 p.p.i. for digital

Lamination: Clear laminate non-glare medium matte over-lamine (No gloss) for abrasion, chemical, and ultra violet protection



2. Vendor Information (Or for Reference)

Approved Vendor	Vendor Part #	Contact #	Preferred Vendor
1)			
OR BENDPAK ENGINEERING APPROVED EQUIVALENT			

PART SPECIFICATION FORM STANDARD

BENDPAK Number:	5905414
MRP Description:	GP/XPR LOCK-RELEASE LABEL
Date:	01/26/2021
ECO :	01267

1. Engineering Specification

Application:

INSTRUCTION LABEL

Detailed Description:

Size: 4"W x 2"H (101.6mm x 51mm)

Material: White Vinyl Pressure Sensitive Adhesive

Thickness: 4 Mil

Ink: U.V. protected CMYK 2/C Process

Finish: Matte Overlamine (No gloss)

Print Process: Offset Lithography - 200 line-screen or 300 p.p.i. for digital

Lamination: Clear laminate Non-glare medium matte over-lamine for abrasion, chemical, and ultra violet protection

TO RAISE LIFT:

1. Press and hold **UP** button.
2. When lift is just **PAST** desired height, release **UP** button.
3. Hold down Lowering Handle.
DO NOT hold down Safety Lock Release Handle.
Lift engages on safety locks.
4. Release Lowering Handle.

TO LOWER LIFT:

1. Press and hold **UP** button for two to three seconds, moving lift off safety locks.
2. Hold down Safety Lock Release Handle **and** Lowering Handle.
3. When lift is fully lowered, release both handles.

PN 5905414

2. Vendor Information (Or for Reference)

Approved Vendor	Vendor Part #	Contact #	Preferred Vendor
1)			

OR BENDPAK ENGINEERING APPROVED EQUIVALENT

PART SPECIFICATION FORM STANDARD

BENDPAK Number:	5905555
MRP Description:	2 POST SAFETY LABEL, ENGLISH-FRENCH
Date:	01/26/2021
ECO :	01267

1. Engineering Specification

Application:

2 POST SAFETY WARNING LABEL

Detailed Description:

Size: 8.5" W x 35.75" H (216mm x 908.1mm)

Material: White Vinyl Pressure Sensitive Adhesive

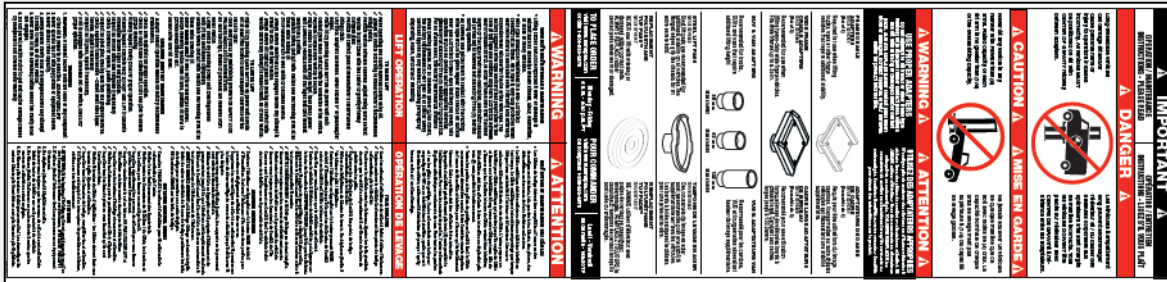
Thickness: 4 Mil

Ink: U.V. protected CMYK 2/C Process

Finish: Matte Overlaminated (No gloss)

Print Process: Offset Lithography - 200 line-screen or 300 p.p.i. for digital

Lamination: Clear laminate Non-glare medium matte over-laminated for abrasion, chemical, and ultra violet protection



2. Vendor Information (Or for Reference)

Approved Vendor	Vendor Part #	Contact #	Preferred Vendor
1)			
OR BENDPAK ENGINEERING APPROVED EQUIVALENT			

PART SPECIFICATION FORM STANDARD

BENDPAK Number:	5905675
MRP Description:	MAX CAPACITY NTRL 18K LABEL, ENGLISH-FRENCH
Date:	01/05/2021
ECO :	01254

1. Engineering Specification

Application:

LIFT CAPACITY LABEL

Detailed Description:

Size: 4.5"W x 3.25"H (114.3mm x 82.55mm)
 Material: White Vinyl Pressure Sensitive Adhesive
 Thickness: 4 Mil
 Ink: U.V. protected CMYK 2/C Process
 Finish: Matte Overlamine (No gloss)
 Print Process: Offset Lithography - 200 line-screen or 300 p.p.i. for digital
 Lamination: Clear laminate Non-glare medium matte overlamine (No gloss) for abrasion, chemical, and ultra violet protection



2. Vendor Information (Or for Reference)

Approved Vendor	Vendor Part #	Contact #	Preferred Vendor
1)			
OR BENDPAK ENGINEERING APPROVED EQUIVALENT			

PART SPECIFICATION FORM STANDARD

BENDPAK Number:	5906044
MRP Description:	AMERICAN OWNED LABEL
Date:	04/14/2021
ECO :	01277

1. Engineering Specification

Application:

BRANDING LABEL

Detailed Description:

Size: 3"W x 4"H (76.2mm x 101.6mm)

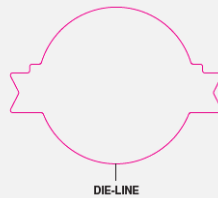
Material: 4 Mil. White Adhesive Vinyl

Ink: U.V. protected, CMYK 4/C Process

Finish: Matte Overlamine (no gloss)

Print Process: Offset Lithography - 200 line-screen or 300 p.p.i. for digital

Lamination: Clear laminate non-glare medium matte over laminate for abrasion, chemical, and ultra violet protection



DIE-LINE

2. Vendor Information (Or for Reference)

Approved Vendor	Vendor Part #	Contact #	Preferred Vendor
1)			

OR BENDPAK ENGINEERING APPROVED EQUIVALENT

PART SPECIFICATION FORM (STANDARD)

BENDPAK Number:	5905285
MRP Description:	SERIAL TAG EXTERIOR PEEL OFF INVENTORY LABEL
Date:	04/20/2016
ECO :	00739

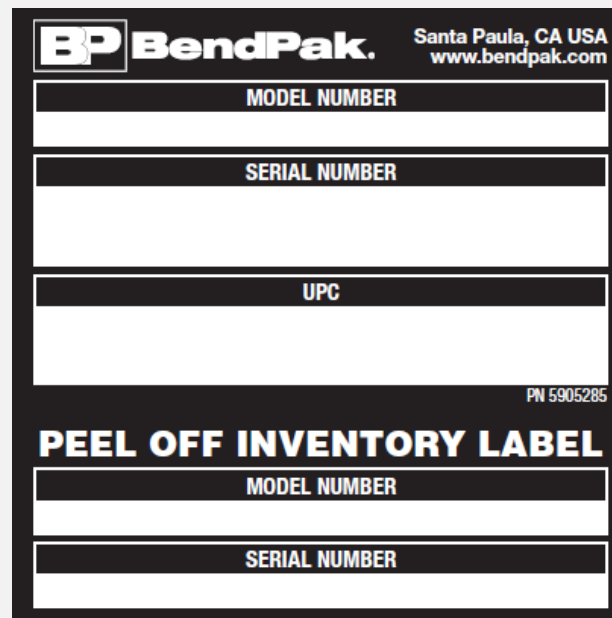
1. Engineering Specification

Application:

DATA SERIAL TAG

Detailed Description:

Size	3" W x 3" H (76.2mm x 76.2mm)
Ink	1 Color-Black
Material	2 Mil. Gloss Polyester Thermal Transfer Label With A High Performance Permanent Acrylic Adhesive.



2. Vendor Information (Or for Reference)

Approved Vendor	Vendor Part #	Reference #	Preferred Vendor
1)			

OR BENDPAK ENGINEERING APPROVED EQUIVALENT

PART SPECIFICATION FORM STANDARD

BENDPAK Number:	5905775
MRP Description:	CALIFORNIA PROP. 65 LABEL
Date:	07/16/2021
ECO :	01314

1. Engineering Specification

Application:

WARNING LABEL

Detailed Description:

Size: 1.5" W x 1.5" H (38.1mm x 38.1mm)

Material: White Vinyl Pressure Sensitive Adhesive

Thickness: 4 Mil

Ink: U.V. protected CMYK 2/C Process

Finish: Matte Overlamine (No gloss)

Print Process: Offset Lithography - 200 line-screen or 300 p.p.i. for digital

Lamination: Clear laminate Non-glare medium matte overlamine (No Gloss) for abrasion, chemical, and ultra violet protection.

CALIFORNIA PROPSITION 65

⚠ WARNING ⚠

WARNING: This product contains chemicals known to the State of California to cause cancer and birth defects or other reproductive harm.

ADVERTENCIA: Este producto contiene sustancias químicas reconocidas por el estado de California como causantes de cáncer y defectos de nacimiento u otros daños reproductivos.

For more information visit:
www.P65Warnings.ca.gov

2. Vendor Information (Or for Reference)

Approved Vendor	Vendor Part #	Contact #	Preferred Vendor
1)			

OR BENDPAK ENGINEERING APPROVED EQUIVALENT

PART SPECIFICATION FORM STANDARD

BENDPAK Number:	5905940
MRP Description:	PRODUCT DATA LABEL
Date:	12/30/2020
ECO :	01249

1. Engineering Specification

Application:

PRODUCT DATA LABEL

Detailed Description:

Size: 4.5"W x 2.75"H (114.3mm x 69.9mm)
 Material: White Vinyl Pressure Sensitive Adhesive
 Thickness: 4 Mil
 Ink: U.V. protected CMYK 2/C Process
 Finish: Matte Overlamine (No gloss)
 Print Process: Offset Lithography - 200 line-screen or 300 p.p.i. for digital
 Lamination: Clear laminate Non-glare medium matte over-lamine (No gloss) for abrasion, chemical, and ultra violet protection



BP BendPak
 1645 Lemonwood Dr.
 Santa Paula, CA USA
 www.BendPak.com

LIFT TYPE: Surface Mount **MANUFACTURER:** BendPak. See data plate for product details
POWER: Electric/Hydraulic **INSTALLATION:** See manual or contact factory

Safety Instructions: If attachments, accessories, or configuration-modifying components that are located in the load path affect operation of the lift, affect the lift electrical listing, or affect intended vehicle accommodation are used on this lift and, if they are not certified for use on this lift, then the certification of this lift shall become null and void. Contact the participant for information pertaining to certified attachments, accessories, or configuration-modifying components.

BendPak lifts are supplied with concrete fasteners meeting the criteria as prescribed by ASTM E488/E488M-18. Lift buyers are responsible for any special regional, structural, and/or seismic anchoring requirements specified by any other agencies and/or codes such as the Uniform Building Code (UBC) and/or International Building Code (IBC).

The manufacture, use, sale, or import of this product may be subject to one or more United States patents, or pending applications, owned by **BendPak Inc.**

Do Not Remove **Engineered by BendPak Inc., USA** **PN 5905940**
Made in China

2. Vendor Information (Or for Reference)

Approved Vendor	Vendor Part #	Contact #	Preferred Vendor
1)			
OR BENDPAK ENGINEERING APPROVED EQUIVALENT			

PART SPECIFICATION FORM STANDARD

BENDPAK Number:	5905465
MRP Description:	MANUFACTURER LABEL
Date:	10/19/2020
ECO :	01220

1. Engineering Specification

Application:
MANUFACTURER LABEL

Detailed Description:
 Size: 6" W x 3.75" H (152.4mm x 95.3mm)
 Material: White Adhesive Paper
 Ink: 1 Color-Black
 Print Process: Offset Lithography - 200 line screen or 300 p.p.i. for digital

MFD. BY BENDPAK INC.				
LIFT TYPE: SURFACE MOUNT	CAPACITY: MED/HVY DTY	INSTALLATION: SEE OWNERS GUIDE OR CONTACT FACTORY		
POWER: ELECTRIC/HYDRAULIC	ANCHORS: AS EQUIPPED			

SHIPPING DAMAGE CLAIMS
 WHEN THIS EQUIPMENT IS SHIPPED, TITLE PASSES TO THE PURCHASER UPON RECEIPT FROM THE CARRIER. CONSEQUENTLY, CLAIMS FOR THE MATERIAL DAMAGED IN SHIPMENT MUST BE MADE BY THE PURCHASER AGAINST THE TRANSPORTATION COMPANY AT THE TIME SHIPMENT IS RECEIVED.

PLEASE READ ALL OPERATORS/USERS MANUAL(S) PRIOR TO INSTALLATION AND OPERATION. UNDERSTAND AND COMPREHEND THE FULL CONTENTS OF EACH MANUAL(S) PRIOR TO INSTALLATION AND OPERATION. DELIVER THE MANUAL(S) TO ALL OPERATORS. FAILURE TO OPERATE THIS EQUIPMENT AS DIRECTED MAY CAUSE INJURY OR DEATH.

IMPORTANT NOTE:
 BENDPAK LIFTS ARE SUPPLIED WITH CONCRETE FASTENERS MEETING THE CRITERIA AS PRESCRIBED BY ASTM E488 - 96(2003). LIFT BUYERS ARE RESPONSIBLE FOR ANY SPECIAL REGIONAL STRUCTURAL AND/OR SEISMIC ANCHORING REQUIREMENTS SPECIFIED BY ANY OTHER AGENCIES AND/OR CODES SUCH AS THE UNIFORM BUILDING CODE (UBC) AND/OR INTERNATIONAL BUILDING CODE (IBC).

THE MANUFACTURE, USE, SALE OR IMPORT OF THIS PRODUCT
 MAY BE SUBJECT TO ONE OR MORE UNITED STATES PATENTS,
 OR PENDING APPLICATIONS, OWNED BY BENDPAK, INC.

INTERNAL BAR CODE - FOR FACTORY AUDIT ONLY 34086

BPK	STYOT	P20KVR	X18576	HVY DTY/ GVR 832
MADE IN CHINA	ENGINEERED BY BENDPAK INC USA			PN 5905465

2. Vendor Information (Or for Reference)

Approved Vendor	Vendor Part #	Contact #	Preferred Vendor
1)			
OR BENDPAK ENGINEERING APPROVED EQUIVALENT			

2-Post Lifts (ALI approved) Product Decal Positioning



BPK Post Lift Decal.pdf
 Material: Clear Adhesive PET
 Size: 4.25"W x 38"H
 Thickness: 4 Mil
 Finish: Matte Overlaminate (No Gloss)
 Ink: U.V. protected, Opaque White
 Print Process: Silk Screen, 85 line-screen (Yellow color in file represents what should be clear PET material and SHOULD NOT print as Yellow ink. White area in file represents Opaque White ink.)

Lamination: Clear Laminate non-glare medium matte over laminate for abrasion, chemical, and ultra violet protection.

Total of 4

CLEAR ADHESIVE PET DOES NOT PRINT YELLOW

B

<p>IMPORTANT</p> <p>OPERATION / MAINTENANCE INSTRUCTIONS - PLEASE READ</p> <p>OPERATION / ENTRETIEN INSTRUCTIONS - LIREZ V'US VOUS PLAIT</p>	
<p>DANGER</p> <p>Long wheelbase vehicles (vehicles with wheelbase greater than 100") are prohibited on this lift. Exceeding the weight capacity of the lift may result in a catastrophic failure. The lift is not designed to lift vehicles with a wheelbase greater than 100".</p> <p>Les véhicules à empattement long (véhicules avec un empattement supérieur à 100") sont interdits sur cette grue. Exceeding the weight capacity of the lift may result in a catastrophic failure. The lift is not designed to lift vehicles with a wheelbase greater than 100".</p>	
<p>CAUTION / MISE EN GARDE</p> <p>Do not use any vehicle in any manner with FERRIS (H) arms. Rated capacity of lift is 10,000 lbs. Do not exceed the rated capacity.</p> <p>Ne jamais soulever un véhicule de quelque manière que ce soit avec les bras FERRIS (H). Capacité nominale de la grue est de 10 000 lb. Ne pas dépasser la capacité nominale de la grue.</p>	
<p>WARNING / ATTENTION</p> <p>USE PROPER ADAPTERS Do not use any adapter not specifically designed for this lift. Use of an improper adapter may result in a catastrophic failure. The lift is not designed to lift vehicles with a wheelbase greater than 100".</p> <p>UTILISEZ DES ADAPTEURS APPROPRIES Ne jamais soulever un véhicule de quelque manière que ce soit avec un adaptateur non spécifiquement conçu pour cette grue. L'utilisation d'un adaptateur inapproprié peut entraîner un échec catastrophique. La grue n'est pas conçue pour soulever des véhicules avec un empattement supérieur à 100".</p>	
<p>WIDE FRAMES Recommended for use when lifting heavy trucks with wide frames. Use of a standard adapter may result in a catastrophic failure.</p> <p>WIDE CADRE Recommandé pour soulever des camions lourds à large empattement. L'utilisation d'un adaptateur standard peut entraîner un échec catastrophique.</p>	<p>WIDE FRAME ADAPTERS Recommended for use when lifting heavy trucks with wide frames. Use of a standard adapter may result in a catastrophic failure.</p> <p>CADRE LARGE ADAPTEURS DE CADRE Recommandé pour soulever des camions lourds à large empattement. L'utilisation d'un adaptateur standard peut entraîner un échec catastrophique.</p>
<p>SOV & VAN ADAPTERS Recommended for use when lifting SUVs and vans. Use of a standard adapter may result in a catastrophic failure.</p> <p>SOV & VAN ADAPTEURS VAN Recommandé pour les camions, SUV et fourgonnettes. L'utilisation d'un adaptateur standard peut entraîner un échec catastrophique.</p>	<p>SOV & VAN ADAPTERS Recommended for use when lifting SUVs and vans. Use of a standard adapter may result in a catastrophic failure.</p> <p>SOV & VAN ADAPTEURS VAN Recommandé pour les camions, SUV et fourgonnettes. L'utilisation d'un adaptateur standard peut entraîner un échec catastrophique.</p>
<p>STEEL LIFT PADS Use lift pads as recommended for additional stability. The tapered edges grip the chassis for an extra lift point.</p> <p>TAMPONS DE LEVAGE EN ACIER Ces tampons de levage en acier sont recommandés pour une stabilité supplémentaire sur les véhicules. Les bords effilés agrippent le châssis pour offrir un point de levage supplémentaire.</p>	<p>STEEL LIFT PADS Use lift pads as recommended for additional stability. The tapered edges grip the chassis for an extra lift point.</p> <p>TAMPONS DE LEVAGE EN ACIER Ces tampons de levage en acier sont recommandés pour une stabilité supplémentaire sur les véhicules. Les bords effilés agrippent le châssis pour offrir un point de levage supplémentaire.</p>
<p>REPLACEMENT TOP PADS Do not use any replacement top pad that is not specifically designed for this lift. Use of an improper top pad may result in a catastrophic failure.</p> <p>REPLACEMENT TOP PADS Ne jamais soulever un véhicule de quelque manière que ce soit avec un tampon de levage en acier qui n'est pas spécifiquement conçu pour cette grue. L'utilisation d'un tampon de levage en acier inapproprié peut entraîner un échec catastrophique.</p>	<p>REPLACEMENT TOP PADS Do not use any replacement top pad that is not specifically designed for this lift. Use of an improper top pad may result in a catastrophic failure.</p> <p>REPLACEMENT TOP PADS Ne jamais soulever un véhicule de quelque manière que ce soit avec un tampon de levage en acier qui n'est pas spécifiquement conçu pour cette grue. L'utilisation d'un tampon de levage en acier inapproprié peut entraîner un échec catastrophique.</p>
<p>TO PLACE ORDER Monday - Friday 8 AM - 5 PM EST 1-800-833-9878</p>	<p>POUR COMMANDER Lundi - Vendredi 8h - 5h EST au 1-800-833-9878</p>
<p>WARNING</p> <p>Always inspect and maintain the lift. Do not use the lift if it is damaged or if it is not in good working order. The lift is not designed to lift vehicles with a wheelbase greater than 100".</p>	<p>ATTENTION</p> <p>Inspectez et maintenez la grue. Ne jamais soulever un véhicule de quelque manière que ce soit si la grue est endommagée ou si elle n'est pas en bon état de fonctionnement. La grue n'est pas conçue pour soulever des véhicules avec un empattement supérieur à 100".</p>
<p>LIFT OPERATION</p> <p>1. Read the manual before use. 2. Do not use the lift if it is damaged or if it is not in good working order. 3. Do not use the lift to lift vehicles with a wheelbase greater than 100". 4. Do not use the lift to lift vehicles with a weight greater than 10,000 lbs. 5. Do not use the lift to lift vehicles with a height greater than 100". 6. Do not use the lift to lift vehicles with a width greater than 100". 7. Do not use the lift to lift vehicles with a length greater than 100". 8. Do not use the lift to lift vehicles with a depth greater than 100". 9. Do not use the lift to lift vehicles with a surface area greater than 100". 10. Do not use the lift to lift vehicles with a volume greater than 100".</p>	<p>OPERATION DE LEVAGE</p> <p>1. Lire le manuel avant utilisation. 2. Ne jamais soulever un véhicule de quelque manière que ce soit si la grue est endommagée ou si elle n'est pas en bon état de fonctionnement. 3. Ne jamais soulever des véhicules avec un empattement supérieur à 100". 4. Ne jamais soulever des véhicules avec un poids supérieur à 10 000 lb. 5. Ne jamais soulever des véhicules avec une hauteur supérieure à 100". 6. Ne jamais soulever des véhicules avec une largeur supérieure à 100". 7. Ne jamais soulever des véhicules avec une longueur supérieure à 100". 8. Ne jamais soulever des véhicules avec une profondeur supérieure à 100". 9. Ne jamais soulever des véhicules avec une surface supérieure à 100". 10. Ne jamais soulever des véhicules avec un volume supérieur à 100".</p>

P/N 5905555

XPR-S Series 2-Post Safety Decal-FRE-ENG-5905555.pdf
 Size: 8.5"W x 35.75"H
 Material: White Vinyl Pressure Sensitive Adhesive
 Thickness: 4 Mil
 Ink: U.V. protected CMYK 2/C Process

Finish: Matte Overlaminate (No Gloss)
 Print Process: Offset Lithography - 200 line-screen or 300 p.p.i. for digital

Lamination: Clear Laminate non-glare medium matte over laminate for abrasion, chemical, and ultra violet protection.

NOTE:
 Place adjacent to power unit below safety lock release handle

C

BP BendPak

1645 Lemonwood Dr. Santa Paula, CA USA
 www.BendPak.com

LIFT TYPE: Surface Mount **MANUFACTURER:** BendPak. See data plate for product details
POWER: Electric/Hydraulic **INSTALLATION:** See manual or contact factory

Safety Instructions: If attachments, accessories, or configuration-modifying components that are located in the load path affect operation of the lift, affect the lift electrical listing, or affect intended vehicle accommodation are used on this lift and, if they are not certified for use on this lift, then the certification of this lift shall become null and void. Contact the participant for information pertaining to certified attachments, accessories, or configuration-modifying components.

BendPak lifts are supplied with concrete fasteners meeting the criteria as prescribed by ASTM E488/E488M-18. Lift buyers are responsible for any special regional, structural and/or seismic anchoring requirements specified by any other agencies and/or codes such as the Uniform Building Code (UBC) and/or International Building Code (IBC).

The manufacture, use, sale, or import of this product may be subject to one or more United States patents, or pending applications, owned by **BendPak Inc.**

Do Not Remove Engineered by BendPak Inc., USA Made in China PN 5905940

Product Data Label 5905940.pdf
 Size: 4.5"W x 2.75"H
 Material: White Vinyl Pressure Sensitive Adhesive
 Thickness: 4 Mil
 Ink: U.V. protected CMYK 2/C Process
 Finish: Matte Overlaminate (No Gloss)
 Print Process: Offset Lithography - 200 line-screen or 300 p.p.i. for digital
 Lamination: Clear Laminate non-glare medium matte over laminate for abrasion, chemical, and ultra violet protection.

P/N 5905311

P/N 5905940

2-Post Lifts (ALI approved) Product Decal Positioning

***D**

⚠ DANGER

THE MAXIMUM LIFTING CAPACITY FOR THIS LIFT IS DESCRIBED BELOW

Maximum Lifting Capacity
Max. Lifting Cap. / Front of Lift Center
Max. Lifting Cap. / Rear of Lift Center

Exceeding the weight capacity of this lift can damage lift and/or property and may cause personal harm, injury or death to operators and/or bystanders. All vehicles MUST be positioned on lift with CENTER OF GRAVITY midway between adapters and/or centered on runways. Damage to lift due to overloading or misuse IS NOT covered under warranty.

LA CAPACITÉ DE LEVAGE MAXIMUM POUR CE LEVAGE EST DÉCRIT CI-DESSOUS

Capacité de Levage Maximale
Max. Capuchon De Levage. / Avant du centre de relèvement
Max. Capuchon De Levage. / Arrière du centre de levage

Le dépassement de la capacité de poids de cet élévateur peut endommager l'ascenseur et / ou les biens et peut causer des dommages corporels, des blessures voire la mort aux opérateurs et / ou aux passants. Tous les véhicules DOIVENT être placés sur l'élévateur avec le CENTRE DE GRAVITÉ à mi-chemin entre les adaptateurs et / ou au centre des pistes. Dommages à soulever dus à la surcharge ou une mauvaise utilisation N'EST PAS couverte par la garantie.

***Max. Cap. Danger ENG-FRE.pdf:**

Size: 4"W x 8.5"H
 Material: White Vinyl Pressure Sensitive Adhesive
 Thickness: 4 Mil
 Ink: U.V. protected CMYK 2/C Process

Finish: Matte Overlamine (No Gloss)

Print Process: Offset Lithography - 200 line-screen or 300 p.p.i. for digital

Lamination: Clear Lamine non-glare medium matte over laminate for abrasion, chemical, and ultra violet protection.

- P/N 5905401 - Max Cap. Danger 7k ENG-FRE
- P/N 5905402 - Max Cap. Danger 9k ENG-FRE
- P/N 5905403 - Max Cap. Danger 10k ENG-FRE
- P/N 5905404 - Max Cap. Danger 12k ENG-FRE
- P/N 5905405 - Max Cap. Danger 15k ENG-FRE
- P/N 5905406 - Max Cap. Danger 18k ENG-FRE

***E**

⚠ ATTENTION ⚠

**MAXIMUM LIFTING CAPACITY
CAPACITÉ DE LEVAGE MAXIMUM**

6000 Lbs.

2722 Kg.

- P/N 5905645 - NRTL Lifting Cap 7K ENG-FRE
- P/N 5905650 - NRTL Lifting Cap 9K ENG-FRE
- P/N 5905655 - NRTL Lifting Cap 10K ENG-FRE
- P/N 5905660 - NRTL Lifting Cap 12K ENG-FRE
- P/N 5905670 - NRTL Lifting Cap 15K ENG-FRE
- P/N 5905675 - NRTL Lifting Cap 18K ENG-FRE

***NRTL Lifting Cap ENG-FRE.pdf:**

Size: 4.5"W x 3.25"H
 Material: White Vinyl Pressure Sensitive Adhesive
 Thickness: 4 Mil
 Ink: U.V. protected CMYK 2/C Process

Finish: Matte Overlamine (No Gloss)

Print Process: Offset Lithography - 200 line-screen or 300 p.p.i. for digital

Lamination: Clear Lamine non-glare medium matte over laminate for abrasion, chemical, and ultra violet protection.

*DEPENDS ON LIFT MODEL AND CAPACITY

F

<div style="background-color: blue; color: white; text-align: center; padding: 2px;">NOTICE</div> <p style="font-size: x-small;">Read operating and safety manuals before using lift.</p>	<div style="background-color: blue; color: white; text-align: center; padding: 2px;">NOTICE</div> <p style="font-size: x-small;">Proper maintenance and inspection is necessary for safe operation.</p>
<div style="background-color: blue; color: white; text-align: center; padding: 2px;">NOTICE</div> <p style="font-size: x-small;">Do not operate a damaged lift.</p>	

The messages and pictographs shown are generic in nature and are meant to generally represent hazards common to all automotive lifts regardless of specific style.

Funding for the development and validation of these labels was provided by the Automotive Lift Institute, PO Box 33116 Indianapolis, FL 32903.

They are protected by copyright. Set of labels may be obtained from ALI or its member companies.

© 1992 by ALI, Inc. ALIWL101a

ALI Blue Label

P/N 5905109
(Kit includes Blue, Yellow & Orange Labels)
(Order Labels from ALI)

<div style="background-color: yellow; text-align: center; padding: 2px;">⚠ CAUTION</div> <p style="font-size: x-small;">Lift to be used by trained operator only.</p>	<div style="background-color: yellow; text-align: center; padding: 2px;">⚠ CAUTION</div> <p style="font-size: x-small;">Authorized personnel only in lift area.</p>
<div style="background-color: yellow; text-align: center; padding: 2px;">⚠ CAUTION</div> <p style="font-size: x-small;">Use vehicle manufacturer's lift points.</p>	<div style="background-color: yellow; text-align: center; padding: 2px;">⚠ CAUTION</div> <p style="font-size: x-small;">Always use safety stands when removing or installing heavy components.</p>
<div style="background-color: yellow; text-align: center; padding: 2px;">⚠ CAUTION</div> <p style="font-size: x-small;">Use height extenders when necessary to ensure good contact.</p>	<div style="background-color: yellow; text-align: center; padding: 2px;">⚠ CAUTION</div> <p style="font-size: x-small;">Auxiliary adapters may reduce load capacity.</p>

The messages and pictographs shown are generic in nature and are meant to generally represent hazards common to all automotive lifts regardless of specific style.

Funding for the development and validation of these labels was provided by the Automotive Lift Institute, PO Box 33116 Indianapolis, FL 32903.

They are protected by copyright. Set of labels may be obtained from ALI or its member companies.

© 1992 by ALI, Inc. ALIWL101c

ALI Yellow Label

<div style="background-color: orange; text-align: center; padding: 2px;">⚠ WARNING</div> <p style="font-size: x-small;">Clear area if vehicle is in danger of falling.</p>	<div style="background-color: orange; text-align: center; padding: 2px;">⚠ WARNING</div> <p style="font-size: x-small;">Position vehicle with center of gravity midway between adapters.</p>
<div style="background-color: orange; text-align: center; padding: 2px;">⚠ WARNING</div> <p style="font-size: x-small;">Remain clear of lift when raising or lowering vehicle.</p>	<div style="background-color: orange; text-align: center; padding: 2px;">⚠ WARNING</div> <p style="font-size: x-small;">Avoid excessive rocking of vehicle while on lift.</p>
<div style="background-color: orange; text-align: center; padding: 2px;">⚠ WARNING</div> <p style="font-size: x-small;">Do not override self-closing lift controls.</p>	<div style="background-color: orange; text-align: center; padding: 2px;">⚠ WARNING</div> <p style="font-size: x-small;">Keep feet clear of lift while lowering.</p>

The messages and pictographs shown are generic in nature and are meant to generally represent hazards common to all automotive lifts regardless of specific style.

Funding for the development and validation of these labels was provided by the Automotive Lift Institute, PO Box 33116 Indianapolis, FL 32903.

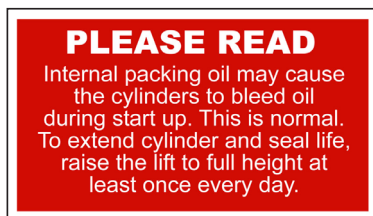
They are protected by copyright. Set of labels may be obtained from ALI or its member companies.

© 1992 by ALI, Inc. ALIWL101d

ALI Orange Label

2-Post Lifts (ALI approved) Product Decal Positioning

G



P/N 5905177
Place on **BOTH** Posts

LR-60_Warning_Instructions_Label.pdf:

Size: 3"W x 1.75"H

Material: White Vinyl Pressure Sensitive Adhesive

Thickness: 4 Mil

Ink: U.V. protected CMYK 2/C Process

Finish: Matte Overlamine (No Gloss)

Print Process: Offset Lithography - 200 line-screen or 300 p.p.i. for digital

Lamination: Clear Laminate non-glare medium matte over laminate for abrasion, chemical, and ultra violet protection.

H



PN 5905653

5905653 - LABEL; ALI-ALCTV-2017
GOLD LABEL, US; MET LABS

I

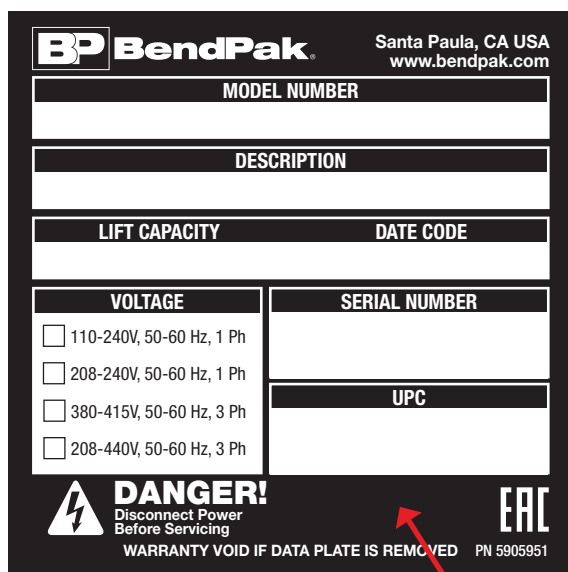


ALI_Notice_Label.jpg
Size: 3"W x 1.75"H

P/N 5905377

(Order Labels from ALI)

J



2017_Serial_Tag-B-5905951.pdf:

Size: 3"W x 3"H

Material: 2 Mil. Gloss polyester thermal transfer label with a high performance permanent acrylic adhesive.



Ink: 1 Color-Black

***FOR NON-CE APPROVED LIFTS ONLY**

P/N 5905951

2-Post Lifts (ALI approved) Product Decal Positioning

K

BP BendPak. Santa Paula, CA USA www.bendpak.com	
MODEL NUMBER	
DESCRIPTION	
LIFT CAPACITY	DATE CODE
VOLTAGE	SERIAL NUMBER
<input type="checkbox"/> 110-240V, 50-60 Hz, 1 Ph <input type="checkbox"/> 208-240V, 50-60 Hz, 1 Ph <input type="checkbox"/> 380-415V, 50-60 Hz, 3 Ph <input type="checkbox"/> 208-440V, 50-60 Hz, 3 Ph	UPC
 	
WARRANTY VOID IF DATA PLATE IS REMOVED PN 5905950	

2017_Serial_Tag-A-5905950.pdf:

Size: 3"W x 3"H

Material: 2 Mil. Gloss polyester thermal transfer label with a high performance permanent acrylic adhesive.

Ink: 1 Color-Black

***FOR CE APPROVED LIFTS ONLY**

P/N 5905950

L

<p>TO RAISE LIFT:</p> <ol style="list-style-type: none"> 1. Press and hold UP button. 2. When lift is just PAST desired height, release UP button. 3. Hold down Lowering Handle. DO NOT hold down Safety Lock Release Handle. Lift engages on safety locks. 4. Release Lowering Handle. 	<p>TO LOWER LIFT:</p> <ol style="list-style-type: none"> 1. Press and hold UP button for two to three seconds, moving lift off safety locks. 2. Hold down Safety Lock Release Handle and Lowering Handle. 3. When lift is fully lowered, release both handles.
PN 5905414	

P/N 5905414

2-Post_Lock-Release_Label.pdf:

Size: 4"W x 2"H

Material: White Vinyl Pressure Sensitive Adhesive

Thickness: 4 Mil

Ink: U.V. protected CMYK 2/C Process

Finish: Matte Overlamine (No Gloss)

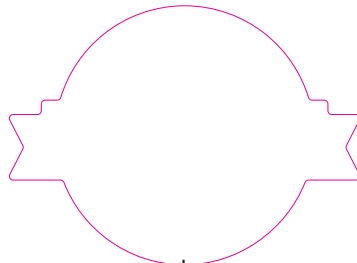
Print Process: Offset Lithography - 200 line-screen or 300 p.p.i. for digital

Lamination: Clear Laminate non-glare medium matte over laminate for abrasion, chemical, and ultra violet protection.

M



NOTE: GRAY DOES NOT PRINT



DIE-LINE

NOTE: DIE-CUT TO SHAPE

PN 5906044

American_Owned_50_Years_Logo.pdf:

Trim: 3"W x 4"H

Material: 4 Mil. White Adhesive Vinyl

Ink: U.V. protected CMYK 4/C Process

Finish: Matte Overlamine (No Gloss)

Print Process: Offset Lithography - 200 line-screen or 300 p.p.i. for digital

Lamination: Clear Laminate non-glare medium matte over laminate for abrasion, chemical, and ultra violet protection

2-Post Lifts (ALI approved) Product Decal Positioning

**FRONT OF
POWERSIDE POST**

**ADJACENT TO PU
POWERSIDE POST**

**BACK OF
POWERSIDE POST**

